



SETRON, Switch disconnecter 3LD, emergency switching-off switch, 3-pole, Iu: 16 A, operating power / at AC-23 A 400 V: 7.5 kW, Molded plastic encapsulation for metric cable gland, rotary operating mechanism, red/yellow

| Model  |  |
|--|--|
| product brand name   | SETRON   |
| product designation  | 3LD Switch disconnecter                            |
| design of the product  | EMERGENCY-STOP switch                              |
| display version / for switch position indicator manual operation                             | 1 ON - 0 OFF                                       |
| type of switch   | Molded-plastic enclosure for metric threaded joint |
| design of the actuating element  | Short rotary knob                                  |
| color / of the actuating element   | red  |
| design of handle   | rotary operating mechanism, red/yellow             |
| type of the driving mechanism / motor drive  | No   |
| General technical data   |  |
| number of poles  | 3  |
| number of poles / note   | N + PE   |
| size of switch disconnecter  | 1  |
| mechanical service life (switching cycles) / typical electrical endurance (switching cycles) | 100 000  |
| • at AC-23 A / at 690 V  | 6 000  |
| operating frequency / maximum  | 50 1/h   |
| degree of pollution  | 3  |
| Voltage  |  |
| insulation voltage / rated value   | 690 V  |
| surge voltage resistance / rated value   | 6 kV   |
| operating voltage  |  |
| • at AC / rated value  | 690 V  |
| operating frequency / rated value  |  |
| • minimum  | 50 Hz  |
| • maximum  | 60 Hz  |
| Protection class   |  |
| protection class IP  | IP65   |
| degree of protection NEMA rating   | 1, 4X, 12  |
| protection class IP / on the front   | IP65   |
| Dissipation  |  |
| power loss [W] / for rated value of the current / at AC / in hot operating state / per pole  | 0.5 W  |
| Current  |  |
| operational current / rated value  | 16 A   |
| operational current  |  |
| • at 40 °C / rated value   | 16 A   |

|   |                        |
|---|------------------------|
| <ul style="list-style-type: none"> <li>• at 45 °C / rated value</li> </ul>  | 16 A                   |
| <ul style="list-style-type: none"> <li>• at 50 °C / rated value</li> </ul>  | 16 A                   |
| <ul style="list-style-type: none"> <li>• at 55 °C / rated value</li> </ul>  | 16 A                   |
| <ul style="list-style-type: none"> <li>• at AC / rated value</li> </ul>   | 16 A                   |
| <b>Main circuit</b>   |                        |
| operational current   |                        |
| <ul style="list-style-type: none"> <li>• at AC-21 / at 690 V / rated value</li> </ul>                                 | 16 A                   |
| <ul style="list-style-type: none"> <li>• at AC-21 A / at 240 V / rated value</li> </ul>                               | 16 A                   |
| <ul style="list-style-type: none"> <li>• at AC-21 A / at 400 V / rated value</li> </ul>                               | 16 A                   |
| <ul style="list-style-type: none"> <li>• at AC-21 A / at 440 V / rated value</li> </ul>                               | 16 A                   |
| <ul style="list-style-type: none"> <li>• at AC-23 A / at 400 V / rated value</li> </ul>                               | 16 A                   |
| operating power   |                        |
| <ul style="list-style-type: none"> <li>• at AC-23 A / at 240 V / rated value</li> </ul>                               | 4 kW                   |
| <ul style="list-style-type: none"> <li>• at AC-23 A / at 400 V / rated value</li> </ul>                               | 8 kW                   |
| <ul style="list-style-type: none"> <li>• at AC-23 A / at 440 V / rated value</li> </ul>                               | 7.5 kW                 |
| <ul style="list-style-type: none"> <li>• at AC-23 A / at 690 V / rated value</li> </ul>                               | 8 kW                   |
| <ul style="list-style-type: none"> <li>• at AC-3 / at 240 V / rated value</li> </ul>                                  | 3 kW                   |
| <ul style="list-style-type: none"> <li>• at AC-3 / at 400 V / rated value</li> </ul>                                  | 6 kW                   |
| <ul style="list-style-type: none"> <li>• at AC-3 / at 690 V / rated value</li> </ul>                                  | 5.5 kW                 |
| <b>Auxiliary circuit</b>  |                        |
| number of CO contacts / for auxiliary contacts  | 0                      |
| number of NC contacts / for auxiliary contacts  | 0                      |
| number of NO contacts / for auxiliary contacts  | 0                      |
| operating voltage / of auxiliary contacts / at AC / maximum   | 500 V                  |
| continuous current / of the auxiliary contact / rated value   | 10 A                   |
| insulation voltage / of the auxiliary switch / rated value  | 500 V                  |
| <b>Suitability</b>  |                        |
| suitability for use   |                        |
| <ul style="list-style-type: none"> <li>• main switch</li> </ul>   | Yes                    |
| <ul style="list-style-type: none"> <li>• switch disconnector</li> </ul>   | Yes                    |
| <ul style="list-style-type: none"> <li>• EMERGENCY OFF switch</li> </ul>  | Yes                    |
| <ul style="list-style-type: none"> <li>• safety switch</li> </ul>   | Yes                    |
| <ul style="list-style-type: none"> <li>• maintenance/repair switch</li> </ul>   | Yes                    |
| <b>Product details</b>  |                        |
| product feature / can be locked into OFF position   | Yes                    |
| <b>accessories</b>  |                        |
| product extension / optional  |                        |
| <ul style="list-style-type: none"> <li>• motor drive</li> </ul>   | No                     |
| <ul style="list-style-type: none"> <li>• voltage trigger</li> </ul>   | No                     |
| number of connectable NC contacts / for auxiliary contacts / attachable / maximum                                     | 3                      |
| number of connectable NO contacts / for auxiliary contacts / attachable / maximum                                     | 5                      |
| number of connectable CO contacts / for auxiliary contacts / attachable / maximum                                     | 0                      |
| number of bracket locks / maximum   | 3                      |
| hasp thickness / of the bracket locks   | 4 ... 8 mm             |
| <b>Short circuit</b>  |                        |
| conditional short-circuit current / with line-side fuse protection  |                        |
| <ul style="list-style-type: none"> <li>• at 690 V / by gG fuse / rated value</li> </ul>                               | 50 kA                  |
| let-through current / with closed switch  |                        |
| <ul style="list-style-type: none"> <li>• at 240 V / for combination switch + gG fuse / maximum</li> </ul>             | 3 kA                   |
| <ul style="list-style-type: none"> <li>• at 440 V / for combination switch + gG fuse / maximum</li> </ul>             | 3 kA                   |
| <ul style="list-style-type: none"> <li>• at 690 V / for combination switch + gG fuse / maximum permissible</li> </ul> | 3 kA                   |
| I <sub>2t</sub> value / with closed switch / at 240 V / for combination switch + gG fuse / maximum                    | 2.5 kA <sup>2</sup> .s |
| I <sub>2t</sub> value / with closed switch / at 440 V / for combination   | 2.5 kA <sup>2</sup> .s |

|  |  |
|--|--|
| switch + gG fuse / maximum   |  |
| I <sub>2t</sub> value / with closed switch / at 690 V / for combination switch + gG fuse / maximum   | 3 kA <sub>2s</sub>   |
| design of the fuse link  |  |
| <ul style="list-style-type: none"> <li>for short-circuit protection of the main circuit / required</li> </ul>                                  | fuse gL/gG: 20 A   |
| <ul style="list-style-type: none"> <li>for short-circuit protection of the auxiliary switch / required</li> </ul>                              | fuse gL/gG: 10 A   |
| operational current / of upstream fuse / rated value   | 20 A   |
| <b>according UL</b>  |  |
| operational current / at AC / according to UL 508/UL 60947-4-1 / rated value   | 16 A   |
| operating voltage / at AC / at 50/60 Hz / according to UL 508/UL 60947-4-1 / rated value   | 600 V  |
| active power [hp] / at AC / at 480 V / according to UL 508/UL 60947-4-1 / rated value  | 7.5  |
| active power [hp] / at AC / at 600 V / according to UL 508/UL 60947-4-1 / rated value  | 10   |
| short-time withstand current (SCCR) / at 600 V / according to UL 508/UL 60947-4-1  | 5 kA   |
| continuous current / of upstream fuse / according to UL / rated value  | 50 A   |
| type of fuse / according to UL   | RK5  |
| <b>Connections</b>   |  |
| AWG number / as coded connectable conductor cross section / solid  |  |
| <ul style="list-style-type: none"> <li>maximum</li> <li>minimum</li> </ul>   | 10<br>18   |
| type of connectable conductor cross-sections / for copper conductor  |  |
| <ul style="list-style-type: none"> <li>solid</li> <li>finely stranded / with core end processing</li> <li>stranded</li> </ul>                  | 1x (1...6mm <sup>2</sup> )<br>1x (1...4mm <sup>2</sup> )<br>1x (1..6mm <sup>2</sup> )  |
| type of connectable conductor cross-sections / for auxiliary contacts  |  |
| <ul style="list-style-type: none"> <li>solid</li> <li>finely stranded / with core end processing</li> <li>stranded</li> </ul>                  | lateral auxiliary switch 2x (0,75 ... 2,5mm <sup>2</sup> ), 1x 4mm <sup>2</sup> ; front auxiliary switch 1x (0,75 ... 2,5mm <sup>2</sup> )<br>lateral auxiliary switch 2x (0,75 ... 1,5mm <sup>2</sup> ), 1x 2,5mm <sup>2</sup> ; front auxiliary switch 1x 2,5mm <sup>2</sup><br>lateral auxiliary switch 2x (0,75 ... 2,5mm <sup>2</sup> ), 1x 4mm <sup>2</sup> ; front auxiliary switch 1x (0,75 ... 2,5mm <sup>2</sup> ) |
| type of electrical connection  |  |
| <ul style="list-style-type: none"> <li>for main current circuit</li> <li>for auxiliary contacts</li> </ul>                                     | box terminal<br>connection terminals   |
| <b>Mechanical Design</b>   |  |
| height   | 152 mm   |
| width  | 100 mm   |
| depth  | 117 mm   |
| type of device   | fixed mounting   |
| fastening method   | Complete unit in enclosure   |
| fastening method   |  |
| <ul style="list-style-type: none"> <li>4-hole front mounting</li> <li>front mounting with central attachment</li> <li>rail mounting</li> </ul> | No<br>Yes<br>No  |
| net weight   | 465 g  |
| <b>Environmental conditions</b>  |  |
| ambient temperature / during operation   |  |
| <ul style="list-style-type: none"> <li>minimum</li> <li>maximum</li> </ul>   | -25 °C<br>55 °C  |
| ambient temperature / during storage   |  |
| <ul style="list-style-type: none"> <li>minimum</li> <li>maximum</li> </ul>   | -25 °C<br>55 °C  |
| <b>General Product Approval</b>  |  |



[Confirmation](#)



[Miscellaneous](#)

|                          |                           |                   |                   |
|--------------------------|---------------------------|-------------------|-------------------|
| General Product Approval | Declaration of Conformity | Test Certificates | Marine / Shipping |
|--------------------------|---------------------------|-------------------|-------------------|



EG-Konf.

[Special Test Certificate](#)

[Miscellaneous](#)



LRS

other

[Miscellaneous](#)

[Environmental Confirmations](#)

Further information

Information- and Downloadcenter (Catalogs, Brochures,...)

<http://www.siemens.com/lowvoltage/catalogs>

Industry Mall (Online ordering system)

<https://mall.industry.siemens.com/mall/en/en/Catalog/product?mlfb=3LD2064-0TB53>

Service&Support (Manuals, Certificates, Characteristics, FAQs,...)

<https://support.industry.siemens.com/cs/ww/en/ps/3LD2064-0TB53>

Image database (product images, 2D dimension drawings, 3D models, device circuit diagrams, ...)

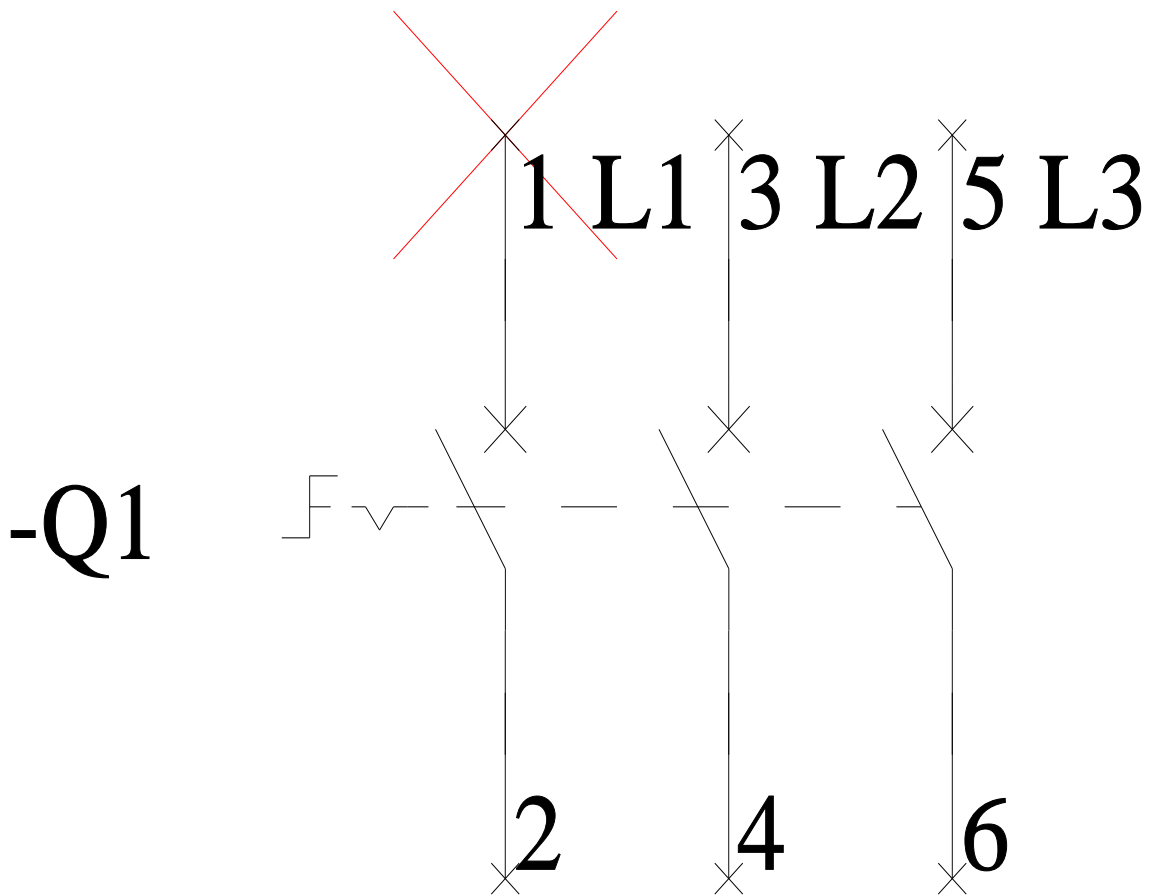
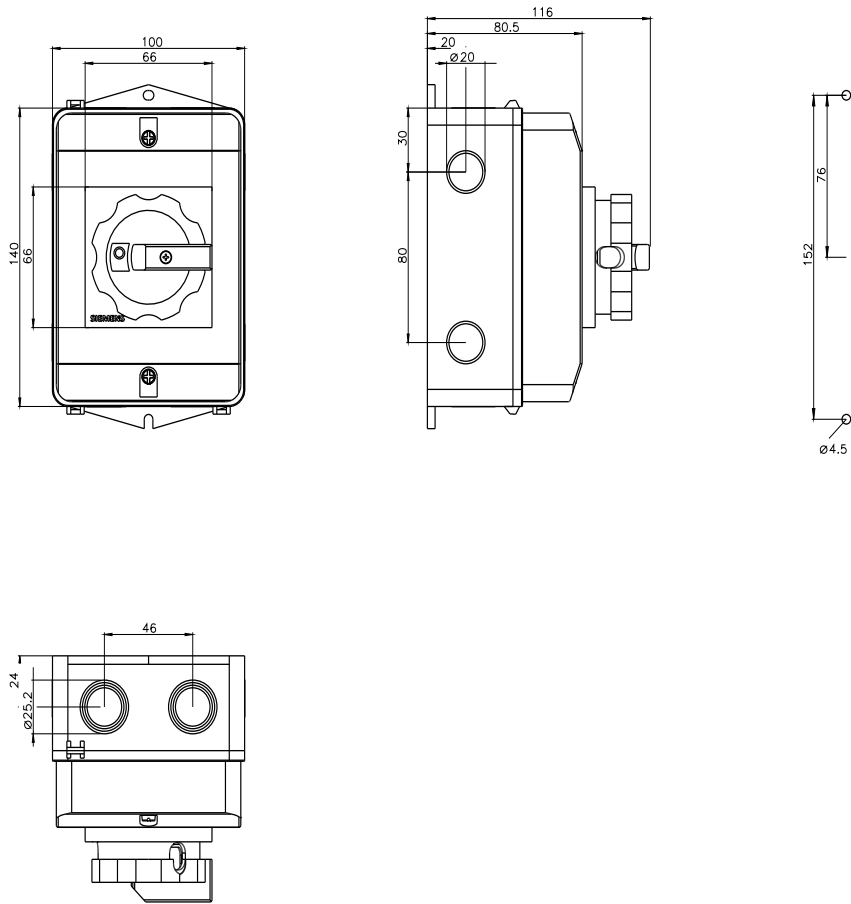
[http://www.automation.siemens.com/bilddb/cax\\_en.aspx?mlfb=3LD2064-0TB53](http://www.automation.siemens.com/bilddb/cax_en.aspx?mlfb=3LD2064-0TB53)

CAX-Online-Generator

<http://www.siemens.com/cax>

Tender specifications

<http://www.siemens.com/specifications>



**-CI**

