



SENTRON, Switch disconnecter 3LD, emergency switching-off switch, 3-pole, $I_u=250$ A, operating power / at AC-23 A 400 V: 132 kW, front-mounted, knob-operated mechanism, red/yellow, 4-hole mounting of the handle

Model	
product brand name	SENTRON
product designation	3LD Switch disconnecter
design of the product	EMERGENCY-STOP switch
display version / for switch position indicator manual operation	1 ON - 0 OFF
type of switch	front mounted
design of the actuating element	selector switch
color / of the actuating element	red
design of handle	knob-operated mechanism, red/yellow
type of the driving mechanism / motor drive	No
General technical data	
number of poles	3
size of switch disconnecter	5
mechanical service life (switching cycles) / typical	100 000
electrical endurance (switching cycles)	
• at AC-23 A / at 690 V	6 000
operating frequency / maximum	50 1/h
degree of pollution	3
Voltage	
insulation voltage / rated value	690 V
surge voltage resistance / rated value	8 kV
operating voltage	
• at AC / rated value	690 V
operating frequency / rated value	
• minimum	50 Hz
• maximum	60 Hz
Protection class	
protection class IP	IP65
degree of protection NEMA rating	1, 3R, 4X, 12
protection class IP / on the front	IP65
Dissipation	
power loss [W] / for rated value of the current / at AC / in hot operating state / per pole	36 W
Current	
operational current / rated value	250 A
operational current	
• at 40 °C / rated value	250 A
• at 45 °C / rated value	250 A

<ul style="list-style-type: none"> • at 50 °C / rated value 	250 A
<ul style="list-style-type: none"> • at 55 °C / rated value 	250 A
<ul style="list-style-type: none"> • at AC / rated value 	250 A
Main circuit	
operational current	
<ul style="list-style-type: none"> • at AC-21 / at 690 V / rated value 	250 A
<ul style="list-style-type: none"> • at AC-21 A / at 240 V / rated value 	250 A
<ul style="list-style-type: none"> • at AC-21 A / at 400 V / rated value 	250 A
<ul style="list-style-type: none"> • at AC-21 A / at 440 V / rated value 	250 A
<ul style="list-style-type: none"> • at AC-23 A / at 400 V / rated value 	224 A
operating power	
<ul style="list-style-type: none"> • at AC-23 A / at 240 V / rated value 	75 kW
<ul style="list-style-type: none"> • at AC-23 A / at 400 V / rated value 	132 kW
<ul style="list-style-type: none"> • at AC-23 A / at 440 V / rated value 	132 kW
<ul style="list-style-type: none"> • at AC-23 A / at 690 V / rated value 	55 kW
<ul style="list-style-type: none"> • at AC-3 / at 240 V / rated value 	55 kW
<ul style="list-style-type: none"> • at AC-3 / at 400 V / rated value 	110 kW
<ul style="list-style-type: none"> • at AC-3 / at 690 V / rated value 	45 kW
Auxiliary circuit	
number of CO contacts / for auxiliary contacts	0
number of NC contacts / for auxiliary contacts	0
number of NO contacts / for auxiliary contacts	0
operating voltage / of auxiliary contacts / at AC / maximum	500 V
continuous current / of the auxiliary contact / rated value	10 A
insulation voltage / of the auxiliary switch / rated value	500 V
Suitability	
suitability for use	
<ul style="list-style-type: none"> • main switch 	Yes
<ul style="list-style-type: none"> • switch disconnector 	Yes
<ul style="list-style-type: none"> • EMERGENCY OFF switch 	Yes
<ul style="list-style-type: none"> • safety switch 	Yes
<ul style="list-style-type: none"> • maintenance/repair switch 	Yes
Product details	
product feature / can be locked into OFF position	Yes
accessories	
product extension / optional	
<ul style="list-style-type: none"> • motor drive 	No
<ul style="list-style-type: none"> • voltage trigger 	No
number of connectable NC contacts / for auxiliary contacts / attachable / maximum	3
number of connectable NO contacts / for auxiliary contacts / attachable / maximum	3
number of connectable CO contacts / for auxiliary contacts / attachable / maximum	0
number of bracket locks / maximum	3
hasp thickness / of the bracket locks	4 ... 6 mm
Short circuit	
conditional short-circuit current / with line-side fuse protection	
<ul style="list-style-type: none"> • at 690 V / by gG fuse / rated value 	50 kA
let-through current / with closed switch	
<ul style="list-style-type: none"> • at 240 V / for combination switch + gG fuse / maximum 	15 kA
<ul style="list-style-type: none"> • at 440 V / for combination switch + gG fuse / maximum 	15 kA
<ul style="list-style-type: none"> • at 690 V / for combination switch + gG fuse / maximum permissible 	15 kA
I2t value / with closed switch	
<ul style="list-style-type: none"> • at 240 V / for combination switch + gG fuse / maximum 	557 kA2.s
<ul style="list-style-type: none"> • at 440 V / for combination switch + gG fuse / 	557 kA2.s

maximum	
<ul style="list-style-type: none"> at 690 V / for combination switch + gG fuse / maximum 	557 kA2.s
design of the fuse link	
<ul style="list-style-type: none"> for short-circuit protection of the main circuit / required 	fuse gL/gG: 250 A
<ul style="list-style-type: none"> for short-circuit protection of the auxiliary switch / required 	fuse gL/gG: 10 A
operational current / of upstream fuse / rated value	250 A
according UL	
operational current / at AC / according to UL 508/UL 60947-4-1 / rated value	250 A
operating voltage / at AC / at 50/60 Hz / according to UL 508/UL 60947-4-1 / rated value	600 V
active power [hp] / at AC / at 480 V / according to UL 508/UL 60947-4-1 / rated value	100
active power [hp] / at AC / at 600 V / according to UL 508/UL 60947-4-1 / rated value	75
short-time withstand current (SCCR) / at 600 V / according to UL 508/UL 60947-4-1	10 kA
continuous current / of upstream fuse / according to UL / rated value	200 A
type of fuse / according to UL	RK5
Connections	
AWG number / as coded connectable conductor cross section / solid	
<ul style="list-style-type: none"> minimum maximum 	1 4/0
type of connectable conductor cross-sections / for copper conductor	
<ul style="list-style-type: none"> solid finely stranded / with core end processing stranded 	1x (16 ...185mm ²) 1x (16...150mm ²) 1x (16...185mm ²)
type of connectable conductor cross-sections / for auxiliary contacts	
<ul style="list-style-type: none"> solid finely stranded / with core end processing stranded 	lateral auxiliary switch 2x (0,75 ... 2,5mm ²), 1x 4mm ² ; front auxiliary switch 1x (0,75 ... 2,5mm ²) lateral auxiliary switch 2x (0,75 ... 1,5mm ²), 1x 2,5mm ² ; front auxiliary switch 1x 2,5mm ² lateral auxiliary switch 2x (0,75 ... 2,5mm ²), 1x 4mm ² ; front auxiliary switch 1x (0,75 ... 2,5mm ²)
type of electrical connection	
<ul style="list-style-type: none"> for main current circuit for auxiliary contacts 	box terminal connection terminals
Mechanical Design	
height	169 mm
width	112 mm
depth	94 mm
type of device	fixed mounting
fastening method	Built-in unit fixed-mounted version
fastening method	
<ul style="list-style-type: none"> 4-hole front mounting front mounting with central attachment rail mounting 	Yes No No
net weight	2 093 g
Environmental conditions	
ambient temperature / during operation	
<ul style="list-style-type: none"> minimum maximum 	-25 °C 55 °C
ambient temperature / during storage	
<ul style="list-style-type: none"> minimum maximum 	-25 °C 55 °C
General Product Approval	Declaration of



[Confirmation](#)



EG-Konf.

Declaration of Conformity

Test Certificates

other



[Type Test Certificates/Test Report](#)

[Special Test Certificate](#)

[Environmental Confirmations](#)

[Miscellaneous](#)

Further information

Information- and Downloadcenter (Catalogs, Brochures,...)

<http://www.siemens.com/lowvoltage/catalogs>

Industry Mall (Online ordering system)

<https://mall.industry.siemens.com/mall/en/en/Catalog/product?mlfb=3LD2405-0TK13>

Service&Support (Manuals, Certificates, Characteristics, FAQs,...)

<https://support.industry.siemens.com/cs/ww/en/ps/3LD2405-0TK13>

Image database (product images, 2D dimension drawings, 3D models, device circuit diagrams, ...)

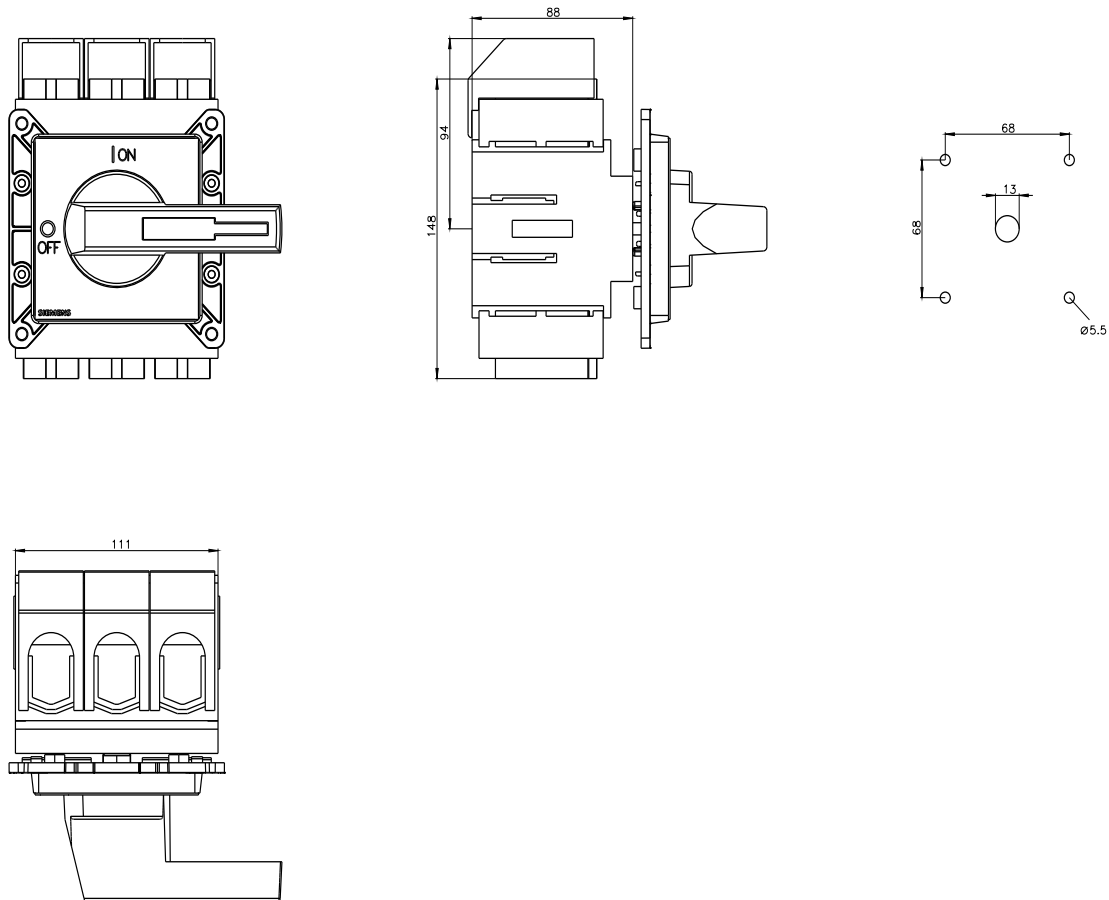
http://www.automation.siemens.com/bilddb/cax_en.aspx?mlfb=3LD2405-0TK13

CAX-Online-Generator

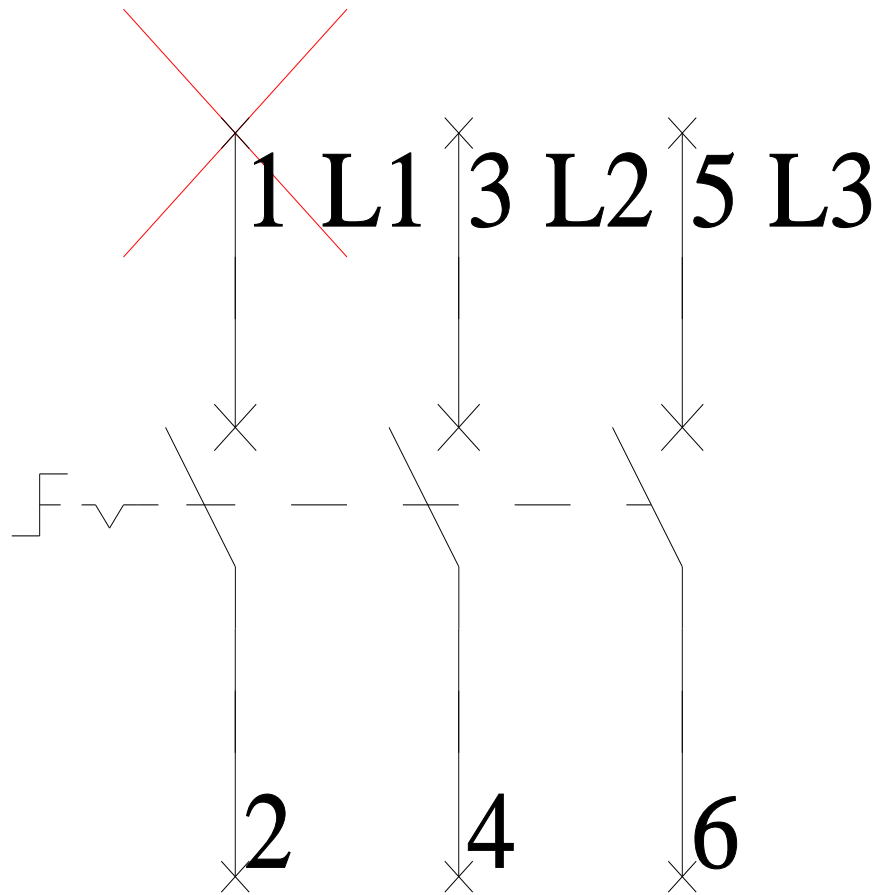
<http://www.siemens.com/cax>

Tender specifications

<http://www.siemens.com/specifications>



-Q1



-CI

