



SITOR fuse holder 22x 127 63 A 1500 V AC/1000 V DC 1-pole

Model		
product brand name	SITOR	
product designation	SITOR fuse switch disconnecter	
General technical data		
number of poles	1	
size of fuse link	22x127	
utilization category	AC20B/DC20B	
size of the fuse link	22x127 mm	
operating voltage		
• at AC / rated value / maximum	1 500 V	
• at DC / rated value / maximum	1 000 V	
Protection class		
protection class IP / on the front	IP20	
Main circuit		
operational current / rated value	63 A	
Suitability		
suitability for use		
• main switch	No	
• switch disconnecter	No	
• EMERGENCY OFF switch	No	
• safety switch	No	
Product function		
product function / fuse monitoring	No	
Connections		
connectable conductor cross-section / solid		
• minimum	1 mm <sup>2</sup>	
• maximum	50 mm <sup>2</sup>	
type of electrical connection / for main current circuit	screw-type terminals	
Mechanical Design		
height	200 mm	
depth	102 mm	
fastening method		
• floor mounting	Yes	
• rail mounting	No	
net weight	488 g	
<b>General Product Approval</b>	<b>Declaration of Conformity</b>	<b>other</b>

other

[Miscellaneous](#)

## Further information

Information- and Downloadcenter (Catalogs, Brochures,...)

<http://www.siemens.com/lowvoltage/catalogs>

Industry Mall (Online ordering system)

<https://mall.industry.siemens.com/mall/en/en/Catalog/product?mlfb=3NC2391-0MK>

Service&amp;Support (Manuals, Certificates, Characteristics, FAQs,...)

<https://support.industry.siemens.com/cs/ww/en/ps/3NC2391-0MK>

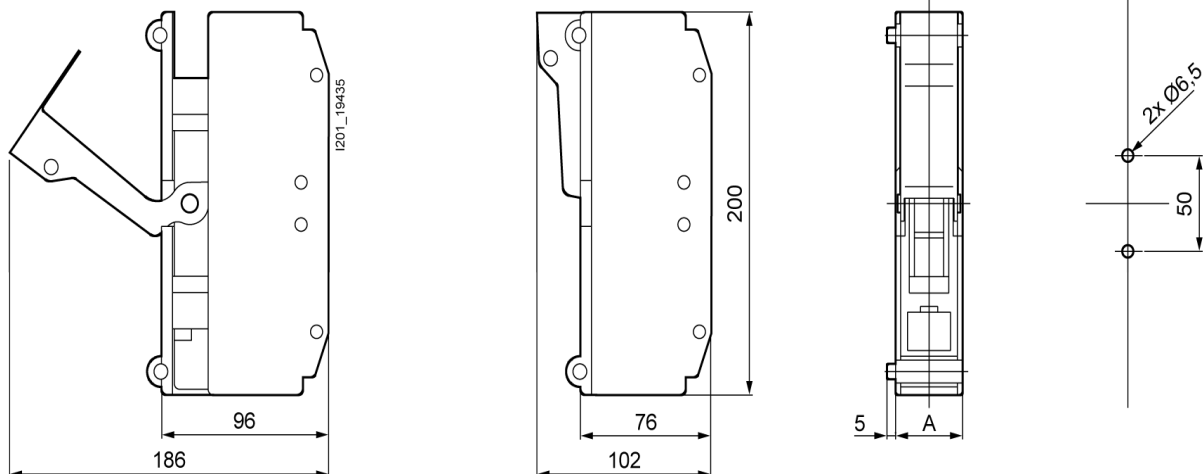
Image database (product images, 2D dimension drawings, 3D models, device circuit diagrams, ...)

[http://www.automation.siemens.com/bilddb/cax\\_en.aspx?mlfb=3NC2391-0MK](http://www.automation.siemens.com/bilddb/cax_en.aspx?mlfb=3NC2391-0MK)

CAx-Online-Generator

<http://www.siemens.com/cax>

Tender specifications

<http://www.siemens.com/specifications>

Type	Dimensions
	A
3NC2391-0MK	40
3NC2392-0MK	80
3NC2393-0MK	120



