



SITOR fuse holder 22x 127 63 A 1500 V AC/1000 V DC 2-pole

Model	
product brand name	SITOR
product designation	SITOR fuse switch disconnecter
General technical data	
number of poles	2
size of fuse link	22x127
utilization category	AC20B/DC20B
size of the fuse link	22x127 mm
operating voltage	
• at AC / rated value / maximum	1 500 V
• at DC / rated value / maximum	1 000 V
Protection class	
protection class IP / on the front	IP20
Main circuit	
operational current / rated value	63 A
Suitability	
suitability for use	
• main switch	No
• switch disconnecter	No
• EMERGENCY OFF switch	No
• safety switch	No
Product function	
product function / fuse monitoring	No
Connections	
connectable conductor cross-section / solid	
• minimum	1 mm ²
• maximum	50 mm ²
type of electrical connection / for main current circuit	screw-type terminals
Mechanical Design	
height	200 mm
depth	102 mm
fastening method	
• floor mounting	Yes
• rail mounting	No
net weight	961 g
General Product Approval	Declaration of Conformity
	other

other

[Miscellaneous](#)

Further information

Information- and Downloadcenter (Catalogs, Brochures,...)

<http://www.siemens.com/lowvoltage/catalogs>

Industry Mall (Online ordering system)

<https://mall.industry.siemens.com/mall/en/en/Catalog/product?mlfb=3NC2392-0MK>

Service&Support (Manuals, Certificates, Characteristics, FAQs,...)

<https://support.industry.siemens.com/cs/ww/en/ps/3NC2392-0MK>

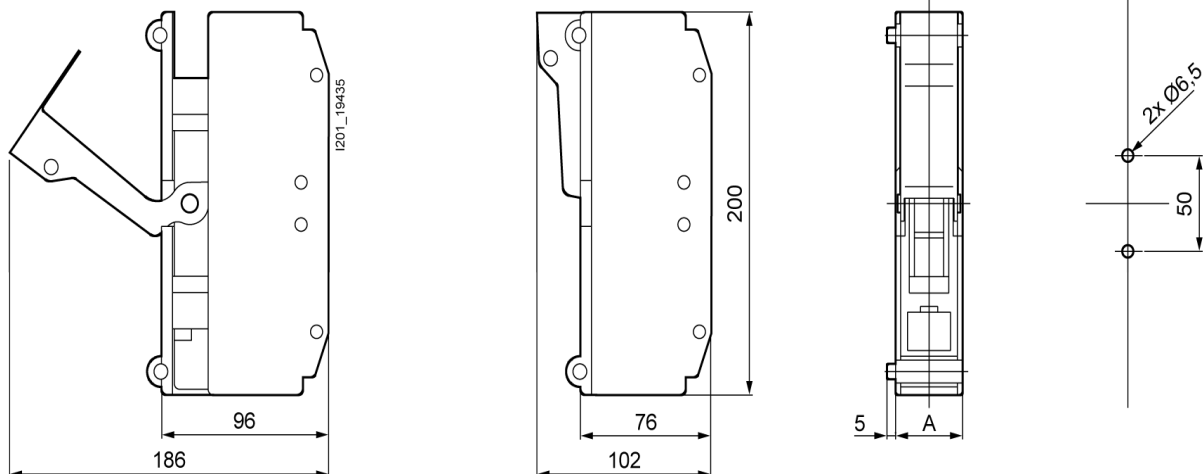
Image database (product images, 2D dimension drawings, 3D models, device circuit diagrams, ...)

http://www.automation.siemens.com/bilddb/cax_en.aspx?mlfb=3NC2392-0MK

CAx-Online-Generator

<http://www.siemens.com/cax>

Tender specifications

<http://www.siemens.com/specifications>

Type	Dimensions A
3NC2391-0MK	40
3NC2392-0MK	80
3NC2393-0MK	120



