

Coupling link for front-end mounting to AC, DC, AC / DC Contactors, 3RT2 S00-S3, 24 V DC Control, screw terminal



General technical data		
product brand name		SIRIUS
size of contactor		S00, S0, S2, S3
protection class IP on the front		IP20
degree of pollution		3
product component protective wiring		Yes
ambient temperature		
• during storage	°C	-40 ... +80
• during operation	°C	-25 ... +60
insulation voltage rated value	V	300
Control circuit/ Control		
type of voltage of the control supply voltage		DC
control supply voltage 1		
• at DC rated value	V	24
operating range factor control supply voltage rated value of magnet coil		
• at DC		0.7 ... 1.25
Auxiliary circuit		
number of NO contacts for auxiliary contacts instantaneous contact		1
operational current of auxiliary contacts		
• at AC-12		
— at 24 V	A	6
— at 230 V	A	6
• at AC-15		
— at 24 V	A	3
— at 230 V	A	3
• at DC-13		
— at 24 V	A	1
— at 110 V	A	0.2
— at 220 V	A	0.1
Installation/ mounting/ dimensions		
mounting position		any
fastening method		direct mounting
width	mm	45
height	mm	35
depth	mm	50
Connections/ Terminals		

<b>type of connectable conductor cross-sections</b>	
<ul style="list-style-type: none"> <li>• for auxiliary contacts <ul style="list-style-type: none"> <li>— solid</li> <li>— finely stranded</li> <li>— with core end processing</li> </ul> </li> </ul>	<p>2x (0.5 ... 1.5 mm<sup>2</sup>), 2x (0.75 ... 2.5 mm<sup>2</sup>)</p> <p>2x (0.5 ... 1.5 mm<sup>2</sup>)</p>

**Certificates/ approvals**

<b>General Product Approval</b>	<b>EMC</b>	<b>Declaration of Conformity</b>
---------------------------------	------------	----------------------------------



[Miscellaneous](#)

**Test Certificates      Shipping Approval**

[Type Test Certificates/Test Report](#)



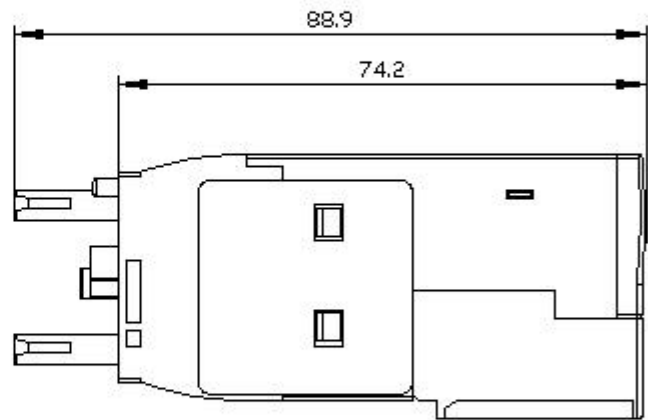
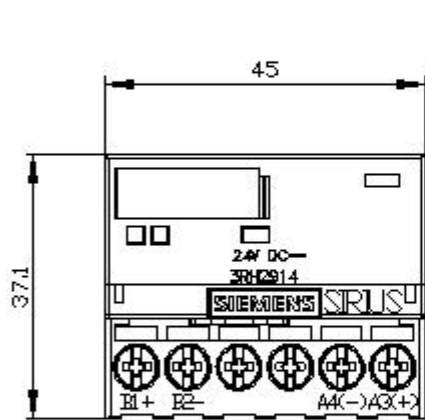
**Shipping Approval      other**

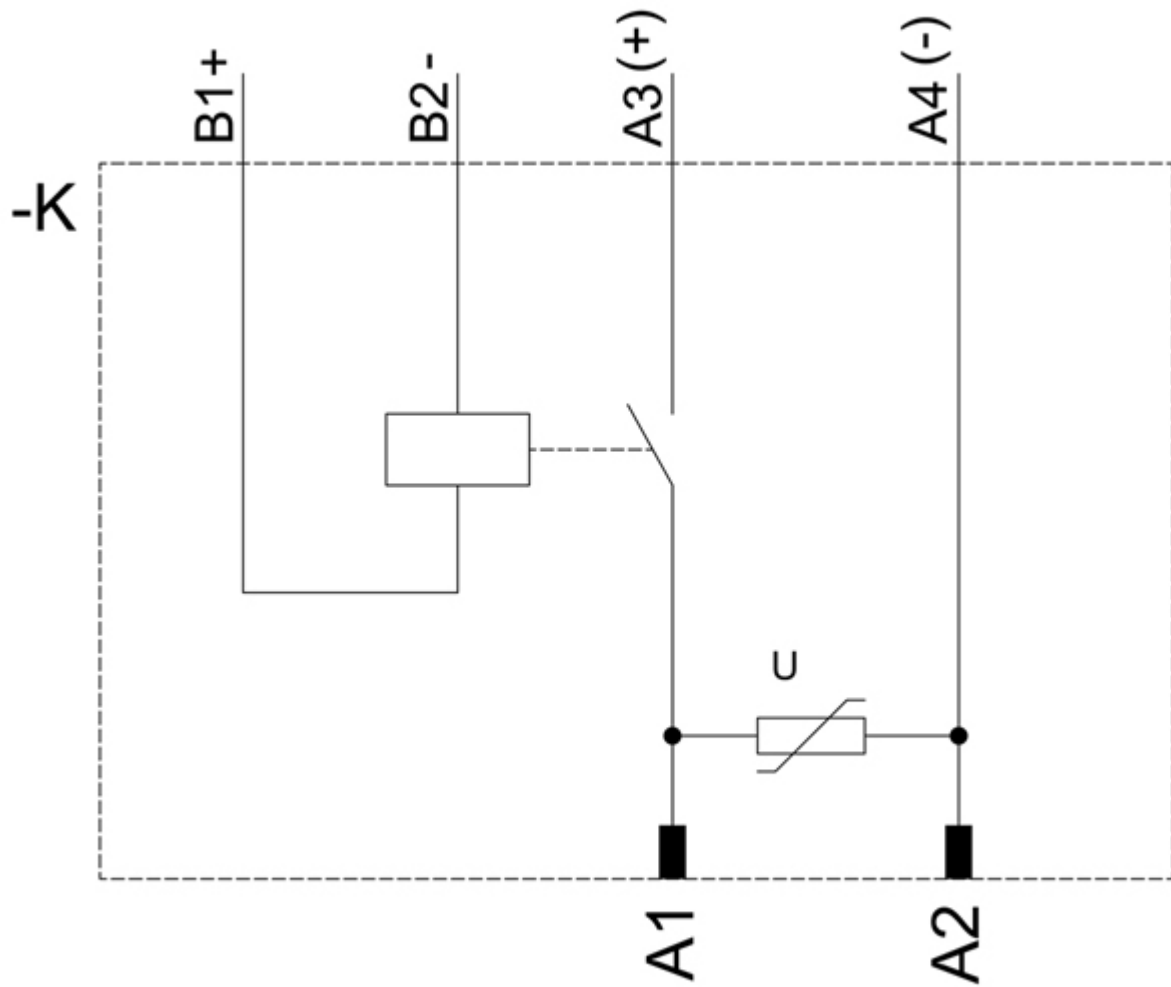


[Confirmation](#)

**Further information**

- Information- and Downloadcenter (Catalogs, Brochures,...)  
<https://www.siemens.com/ic10>
- Industry Mall (Online ordering system)  
<https://mall.industry.siemens.com/mall/en/en/Catalog/product?mlfb=3RH2914-1GP11>
- Cax online generator  
<http://support.automation.siemens.com/WW/CAXorder/default.aspx?lang=en&mlfb=3RH2914-1GP11>
- Service&Support (Manuals, Certificates, Characteristics, FAQs,...)  
<https://support.industry.siemens.com/cs/ww/en/ps/3RH2914-1GP11>
- Image database (product images, 2D dimension drawings, 3D models, device circuit diagrams, EPLAN macros, ...)  
[http://www.automation.siemens.com/bilddb/cax\\_de.aspx?mlfb=3RH2914-1GP11&lang=en](http://www.automation.siemens.com/bilddb/cax_de.aspx?mlfb=3RH2914-1GP11&lang=en)





last modified:

1/18/2021 