



Coupling link for front-end mounting to AC, DC, AC / DC Contactors, 3RT2 S00-S3, 24 V DC Control, Spring-type terminal

General technical data		
product brand name		SIRIUS
size of contactor		S00, S0, S2, S3
protection class IP on the front		IP20
degree of pollution		3
product component protective wiring		Yes
ambient temperature		
• during storage	°C	-40 ... +80
• during operation	°C	-25 ... +60
insulation voltage rated value	V	300
Control circuit/ Control		
type of voltage of the control supply voltage		DC
control supply voltage 1		
• at DC rated value	V	24
operating range factor control supply voltage rated value of magnet coil		
• at DC		0.7 ... 1.25
Auxiliary circuit		
number of NO contacts for auxiliary contacts instantaneous contact		1
operational current of auxiliary contacts		
• at AC-12		
— at 24 V	A	6
— at 230 V	A	6
• at AC-15		
— at 24 V	A	3
— at 230 V	A	3
• at DC-13		
— at 24 V	A	1
— at 110 V	A	0.2
— at 220 V	A	0.1
Installation/ mounting/ dimensions		
mounting position		any
fastening method		direct mounting
width	mm	45
height	mm	35
depth	mm	50
Connections/ Terminals		

type of connectable conductor cross-sections

- for auxiliary contacts
 - solid
 - finely stranded
 - with core end processing

2x (0.5 ... 1.5 mm²), 2x (0.75 ... 2.5 mm²)

2x (0.5 ... 1.5 mm²)

Certificates/ approvals

General Product Approval



UL



RCM

Declaration of Conformity

[Miscellaneous](#)



EG-Konf.

Test Certificates

[Type Test Certificates/Test Report](#)

Shipping Approval



ABS



BUREAU
VERITAS



LRS



PRS



RINA



RMRS

other

[Confirmation](#)

Further information

Information- and Downloadcenter (Catalogs, Brochures,...)

<https://www.siemens.com/ic10>

Industry Mall (Online ordering system)

<https://mall.industry.siemens.com/mall/en/en/Catalog/product?mlfb=3RH2914-2GP11>

Cax online generator

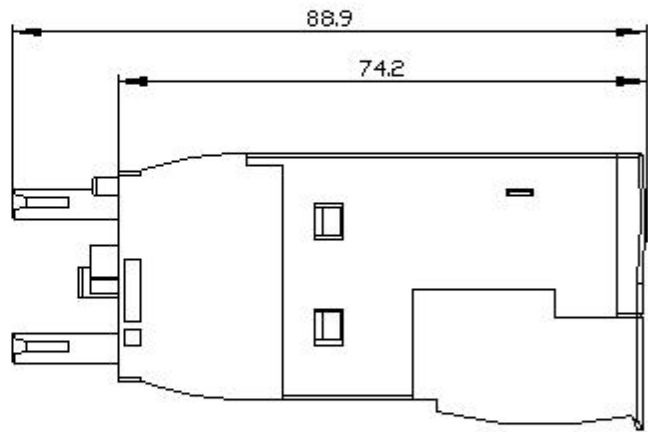
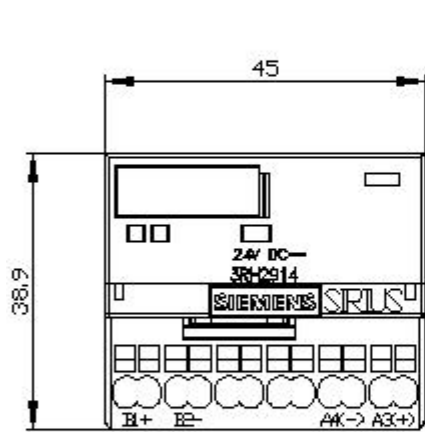
<http://support.automation.siemens.com/WW/CAXorder/default.aspx?lang=en&mlfb=3RH2914-2GP11>

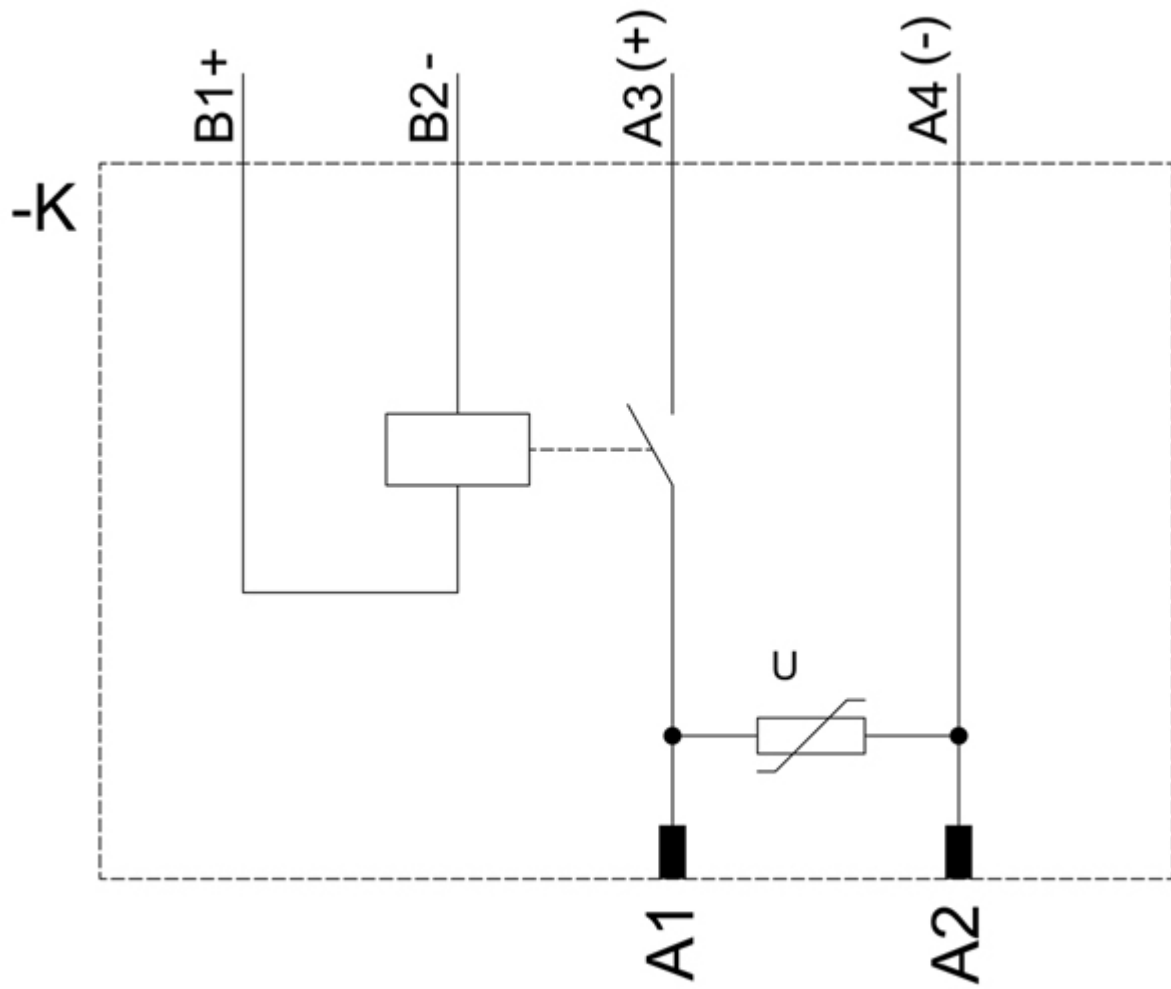
Service&Support (Manuals, Certificates, Characteristics, FAQs,...)

<https://support.industry.siemens.com/cs/ww/en/ps/3RH2914-2GP11>

Image database (product images, 2D dimension drawings, 3D models, device circuit diagrams, EPLAN macros, ...)

http://www.automation.siemens.com/bilddb/cax_de.aspx?mlfb=3RH2914-2GP11&lang=en





last modified:

12/21/2020 