



Coupling link for direct coil mounting, 24 V DC, 1 NO, 1 NC for motor contactors size S0 screw terminal connection B1/B2 for 1 NO

General technical data		
product brand name		SIRIUS
size of contactor		S0
protection class IP on the front		IP20
degree of pollution		3
product component protective wiring		Yes
ambient temperature		
• during storage	°C	-40 ... +80
• during operation	°C	-25 ... +60
insulation voltage rated value	V	300
Control circuit/ Control		
type of voltage of the control supply voltage		DC
control supply voltage 1		
• at DC rated value	V	24
operating range factor control supply voltage rated value of magnet coil		
• at DC		0.7 ... 1.25
Auxiliary circuit		
number of NO contacts for auxiliary contacts instantaneous contact		1
operational current of auxiliary contacts		
• at AC-12		
— at 24 V	A	6
— at 230 V	A	6
• at AC-15		
— at 24 V	A	3
— at 230 V	A	3
• at DC-13		
— at 24 V	A	1
— at 110 V	A	0.2
— at 220 V	A	0.1
Installation/ mounting/ dimensions		
mounting position		any
fastening method		direct mounting
width	mm	45
height	mm	35
depth	mm	50
Connections/ Terminals		

type of connectable conductor cross-sections	
<ul style="list-style-type: none"> • for auxiliary contacts <ul style="list-style-type: none"> — solid — finely stranded — with core end processing 	<p>2x (0.5 ... 1.5 mm²), 2x (0.75 ... 2.5 mm²)</p> <p>2x (0.5 ... 1.5 mm²)</p>

Certificates/ approvals

General Product Approval	EMC	Test Certificates
    		Type Test Certificates/Test Report

Marine / Shipping

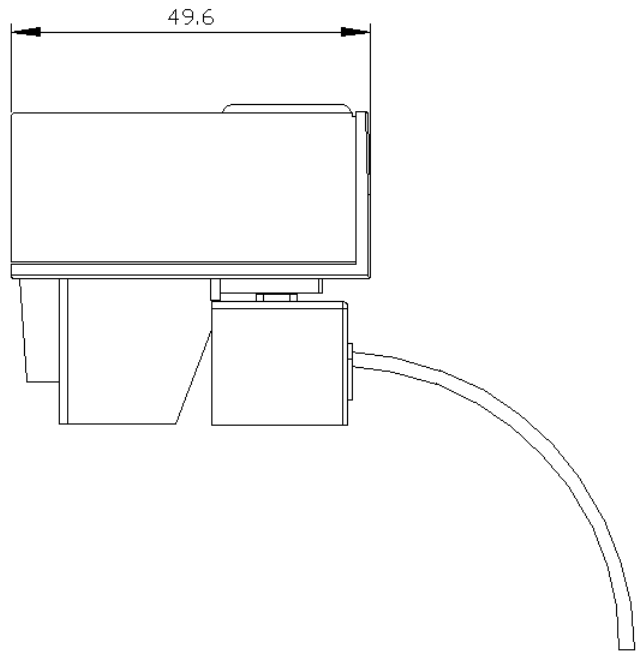
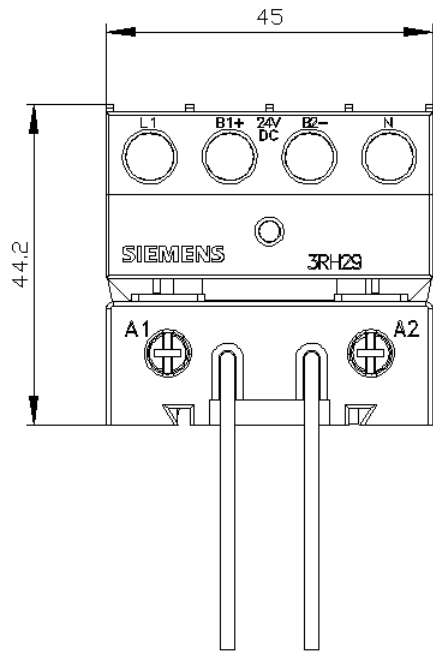


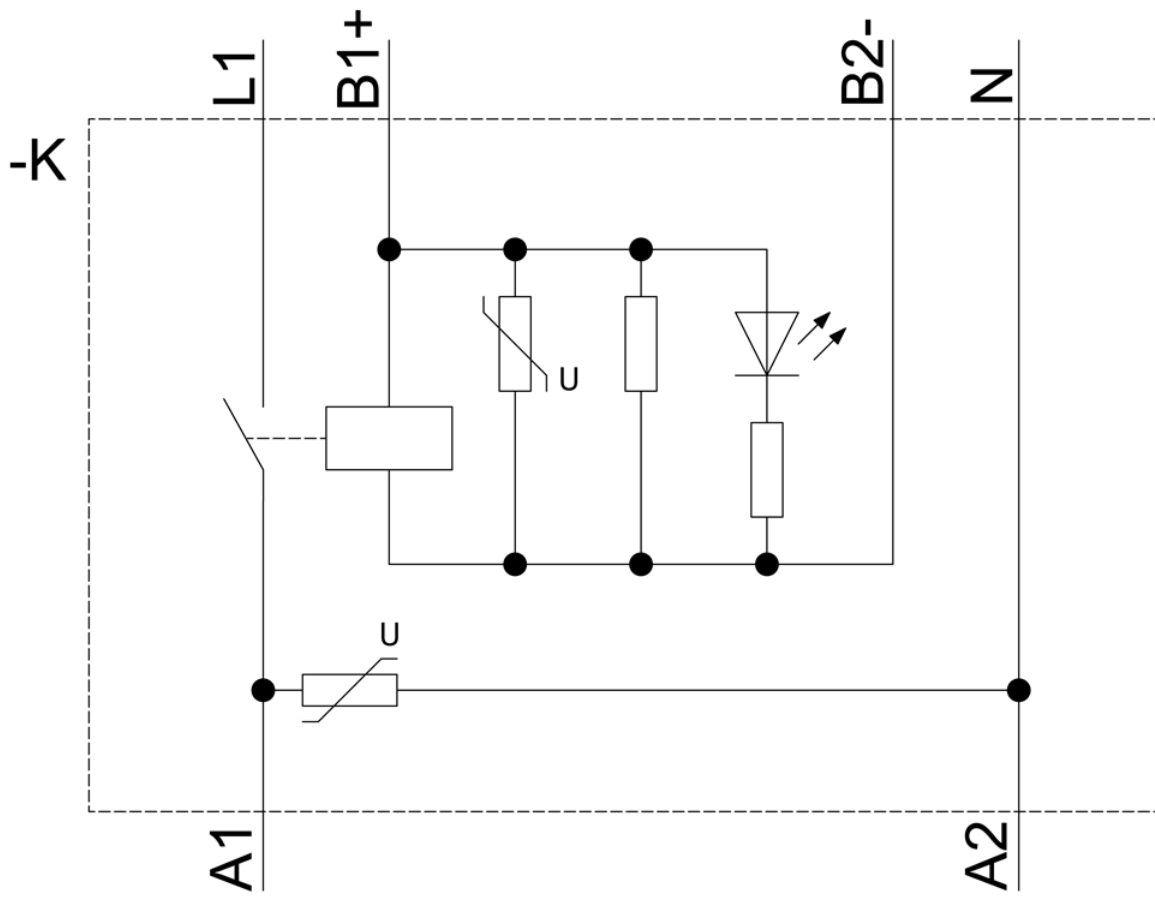
Marine / Shipping	other	Railway
-------------------	-------	---------



Further information

- Information- and Downloadcenter (Catalogs, Brochures,...)
<https://www.siemens.com/ic10>
- Industry Mall (Online ordering system)
<https://mall.industry.siemens.com/mall/en/en/Catalog/product?mlfb=3RH2924-1GP11>
- Cax online generator
<http://support.automation.siemens.com/WW/CAXorder/default.aspx?lang=en&mlfb=3RH2924-1GP11>
- Service&Support (Manuals, Certificates, Characteristics, FAQs,...)
<https://support.industry.siemens.com/cs/ww/en/ps/3RH2924-1GP11>
- Image database (product images, 2D dimension drawings, 3D models, device circuit diagrams, EPLAN macros, ...)
http://www.automation.siemens.com/bilddb/cax_de.aspx?mlfb=3RH2924-1GP11&lang=en





last modified:

12/21/2020 