

Function module for IO-Link, Reversing start, spring-type terminal, Installation on contactors 3RT2 Communication-capable contactor required



General technical data		
product brand name		Sirius
product designation		function module
design of the product		IO-Link
size of contactor can be combined company-specific		S00, S0, S2, S3
protection class IP on the front acc. to IEC 60529		IP20
touch protection on the front acc. to IEC 60529		finger-safe, for vertical contact from the front
degree of pollution		3
insulation voltage with degree of pollution 3 at AC rated value	V	690
installation altitude at height above sea level maximum	m	2 000
ambient temperature		
• during storage	°C	-40 ... +80
• during operation	°C	-25 ... +60
• during transport	°C	-40 ... +80
EMC immunity acc. to IEC 60947-1		ambience A (industrial sector)
EMC emitted interference acc. to IEC 60947-1		CISPR11, ambience A (industrial sector)
conducted interference due to burst acc. to IEC 61000-4-4		2 kV network connection / 1 kV control connection
conducted interference due to conductor-earth surge acc. to IEC 61000-4-5		1 kV
conducted interference due to conductor-conductor surge acc. to IEC 61000-4-5		0.5 kV
electrostatic discharge acc. to IEC 61000-4-2		8 kV
field-based interference acc. to IEC 61000-4-3		10 V/m
shock resistance		11g / 15 ms
vibration resistance		10 ... 55 Hz / 0.35 mm
reference code		
• acc. to IEC 81346-2		K
• acc. to DIN EN 61346-2		K
suitability for use		
• direct starter		No
• star-delta starter		No
• reversing starter		Yes
Communication/ Protocol		
product function		
• bus communication		Yes
• control circuit interface with IO link		Yes

• control circuit interface with AS-interface		No
<b>Control circuit/ Control</b>		
design of the surge suppressor		Varistor
type of voltage of the control supply voltage		DC
control supply voltage 1 at DC rated value	V	24
<b>Installation/ mounting/ dimensions</b>		
mounting position		any
fastening method		can be plugged into contactor
width	mm	45
height	mm	39
depth	mm	75
<b>Connections/ Terminals</b>		
product component removable terminal for auxiliary and control circuit		Yes
type of electrical connection for auxiliary and control circuit		spring-loaded terminals
type of connectable conductor cross-sections		
• for auxiliary contacts		
— solid		1x (0.25 ... 1.5 mm <sup>2</sup> ), 2x (0.25 ... 1.5 mm <sup>2</sup> )
— finely stranded		
— with core end processing		1x (0.25 ... 1.5 mm <sup>2</sup> ), 2x (0.25 ... 1.5 mm <sup>2</sup> )
— without core end processing		1x (0.25 ... 1.5 mm <sup>2</sup> ), 2x (0.25 ... 1.5 mm <sup>2</sup> )
• at AWG cables for auxiliary contacts		2x (24 ... 16)
<b>Certificates/ approvals</b>		
certificate of suitability		CE / UL / CSA
<b>General Product Approval</b>		<b>Declaration of Conformity</b>



[Manufacturer Declaration](#)



[UK Declaration of Conformity](#)



**Test Certificates**    **Marine / Shipping**

[Type Test Certificates/Test Report](#)



**Marine / Shipping**

**other**

**Railway**



[Confirmation](#)

[Vibration and Shock](#)

**Further information**

Information- and Downloadcenter (Catalogs, Brochures,...)

<https://www.siemens.com/ic10>

Industry Mall (Online ordering system)

<https://mall.industry.siemens.com/mall/en/en/Catalog/product?mlfb=3RA2711-2BA00>

Cax online generator

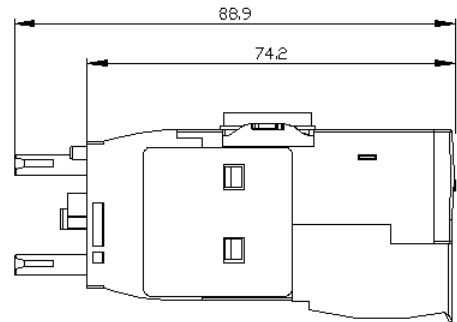
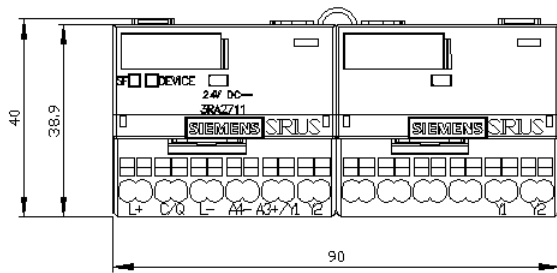
<http://support.automation.siemens.com/WW/CAXorder/default.aspx?lang=en&mlfb=3RA2711-2BA00>

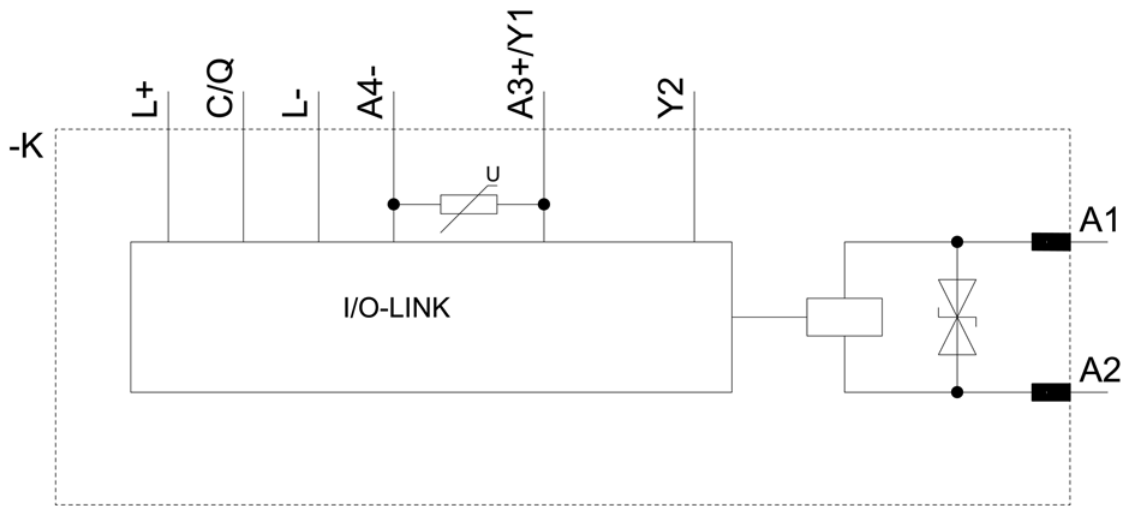
Service&Support (Manuals, Certificates, Characteristics, FAQs,...)

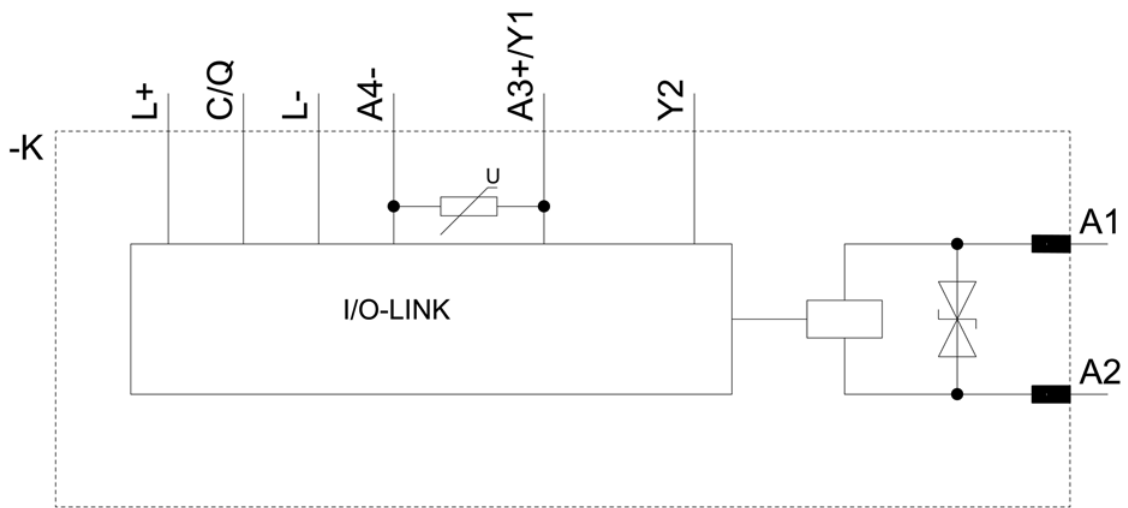
<https://support.industry.siemens.com/cs/ww/en/ps/3RA2711-2BA00>

Image database (product images, 2D dimension drawings, 3D models, device circuit diagrams, EPLAN macros, ...)

[http://www.automation.siemens.com/bilddb/cax\\_de.aspx?mlfb=3RA2711-2BA00&lang=en](http://www.automation.siemens.com/bilddb/cax_de.aspx?mlfb=3RA2711-2BA00&lang=en)







last modified:

12/15/2020 