



Timing relay, Multifunction with painted PCB 2 change-over contacts, 27 functions 7 time ranges (0.05 s...100 h) 12-240 V AC/DC at 50/60 Hz AC with LED Spring-type terminal (push-in)

product brand name	SIRIUS
product designation	timing relay
design of the product	27 functions
product type designation	3RP25
General technical data	
product component	
• relay output	Yes
• semi-conductor output	No
product extension required remote control	No
product extension optional remote control	No
power loss [W] maximum	2 W
insulation voltage for overvoltage category III according to IEC 60664 with degree of pollution 3 rated value	300 V
test voltage for isolation test	2.5 kV
degree of pollution	3
surge voltage resistance rated value	4 000 V
protection class IP	IP20
shock resistance acc. to IEC 60068-2-27	11g / 15 ms
vibration resistance acc. to IEC 60068-2-6	10 ... 55 Hz / 0.35 mm
mechanical service life (switching cycles) typical	10 000 000
electrical endurance (switching cycles) at AC-15 at 230 V typical	100 000
adjustable time	0.05 s ... 100 h
relative setting accuracy relating to full-scale value	5 %
thermal current	5 A
minimum ON period	35 ms
recovery time	250 ms
reference code acc. to IEC 81346-2	K
relative repeat accuracy	1 %
Substance Prohibitance (Date)	12.09.2014 00:00:00
Control circuit/ Control	
type of voltage of the control supply voltage	AC/DC
control supply voltage 1 at AC	
• at 50 Hz	12 ... 240 V
• at 60 Hz	12 ... 240 V
control supply voltage frequency 1	50 ... 60 Hz
control supply voltage 1	
• at DC	12 ... 240 V
operating range factor control supply voltage rated value at DC	

<ul style="list-style-type: none"> • initial value 	0.8
<ul style="list-style-type: none"> • full-scale value 	1.1
operating range factor control supply voltage rated value at AC at 50 Hz	
<ul style="list-style-type: none"> • initial value 	0.8
<ul style="list-style-type: none"> • full-scale value 	1.1
operating range factor control supply voltage rated value at AC at 60 Hz	
<ul style="list-style-type: none"> • initial value 	0.8
<ul style="list-style-type: none"> • full-scale value 	1.1
inrush current peak	
<ul style="list-style-type: none"> • at 24 V 	0.3 A
<ul style="list-style-type: none"> • at 240 V 	5 A
duration of inrush current peak	
<ul style="list-style-type: none"> • at 24 V 	0.3 ms
<ul style="list-style-type: none"> • at 240 V 	0.5 ms
Switching Function	
switching function	
<ul style="list-style-type: none"> • ON-delay 	Yes
<ul style="list-style-type: none"> • ON-delay/instantaneous contact 	Yes
<ul style="list-style-type: none"> • passing make contact 	Yes
<ul style="list-style-type: none"> • passing make contact/instantaneous contact 	Yes
<ul style="list-style-type: none"> • OFF delay 	No
switching function	
<ul style="list-style-type: none"> • flashing symmetrically with interval start/instantaneous 	Yes
<ul style="list-style-type: none"> • flashing symmetrically with interval start 	Yes
<ul style="list-style-type: none"> • flashing symmetrically with pulse start/instantaneous 	Yes
<ul style="list-style-type: none"> • flashing symmetrically with pulse start 	Yes
<ul style="list-style-type: none"> • flashing asymmetrically with interval start 	No
<ul style="list-style-type: none"> • flashing asymmetrically with pulse start 	No
switching function	
<ul style="list-style-type: none"> • star-delta circuit with delay time 	No
<ul style="list-style-type: none"> • star-delta circuit 	Yes
switching function with control signal	
<ul style="list-style-type: none"> • additive ON-delay 	Yes
<ul style="list-style-type: none"> • passing break contact 	Yes
<ul style="list-style-type: none"> • passing break contact/instantaneous 	Yes
<ul style="list-style-type: none"> • OFF delay 	Yes
<ul style="list-style-type: none"> • OFF delay/instantaneous 	Yes
<ul style="list-style-type: none"> • pulse delayed 	Yes
<ul style="list-style-type: none"> • pulse delayed/instantaneous 	Yes
<ul style="list-style-type: none"> • pulse-shaping 	Yes
<ul style="list-style-type: none"> • pulse-shaping/instantaneous 	Yes
<ul style="list-style-type: none"> • additive ON-delay/instantaneous 	Yes
<ul style="list-style-type: none"> • ON-delay/OFF-delay/instantaneous 	Yes
<ul style="list-style-type: none"> • passing make contact 	Yes
<ul style="list-style-type: none"> • passing make contact/instantaneous contact 	Yes
switching function of interval relay with control signal	
<ul style="list-style-type: none"> • retrotriggerable with deactivated control signal/instantaneous contact 	Yes
<ul style="list-style-type: none"> • retrotriggerable with switched-on control signal 	Yes
<ul style="list-style-type: none"> • retrotriggerable with switched-on control signal/instantaneous contact 	Yes
<ul style="list-style-type: none"> • retriggerable with deactivated control signal 	Yes
design of the control terminal non-floating	Yes
Short-circuit protection	
design of the fuse link for short-circuit protection of the auxiliary switch required	fuse gL/gG: 4 A
Auxiliary circuit	

material of switching contacts	AgSnO ₂
number of NC contacts delayed switching	0
number of NO contacts delayed switching	0
number of CO contacts delayed switching	2
operational current of auxiliary contacts at AC-15	
• at 24 V	3 A
• at 250 V	3 A
operational current of auxiliary contacts at DC-13	
• at 24 V	1 A
• at 125 V	0.2 A
• at 250 V	0.1 A
operating frequency with 3RT2 contactor maximum	5 000 1/h
contact reliability of auxiliary contacts	one incorrect switching operation of 100 million switching operations (17 V, 5 mA)
contact rating of auxiliary contacts according to UL	R300 / B300
influence of the surrounding temperature	1% in the whole temperature range to the set runtime
power supply influence	1% in the whole voltage range to the set runtime
switching capacity current with inductive load	0.01 ... 3 A
Inputs/ Outputs	
product function	
• at the relay outputs switchover delayed/without delay	Yes
• non-volatile	No
Electromagnetic compatibility	
EMC emitted interference acc. to IEC 61812-1	ambience A (industrial sector)
EMC immunity acc. to IEC 61812-1	corresponds to degree of severity 3
conducted interference	
• due to burst acc. to IEC 61000-4-4	2 kV network connection / 1 kV control connection
• due to conductor-earth surge acc. to IEC 61000-4-5	2 kV
• due to conductor-conductor surge acc. to IEC 61000-4-5	1 kV
field-based interference acc. to IEC 61000-4-3	10 V/m
electrostatic discharge acc. to IEC 61000-4-2	4 kV contact discharge / 8 kV air discharge
Safety related data	
protection class IP on the front acc. to IEC 60529	IP20
type of insulation	Basic insulation
category acc. to EN 954-1	none
Connections/ Terminals	
product component removable terminal for auxiliary and control circuit	Yes
type of electrical connection for auxiliary and control circuit	spring-loaded terminals (push-in)
type of connectable conductor cross-sections	
• solid	0.5 ... 4 mm ²
• finely stranded with core end processing	0.5 ... 2.5 mm ²
• finely stranded without core end processing	0.5 ... 4 mm ²
• at AWG cables solid	20 ... 12
• at AWG cables stranded	20 ... 12
connectable conductor cross-section	
• solid	0.5 ... 4 mm ²
• finely stranded with core end processing	0.5 ... 4 mm ²
• finely stranded without core end processing	0.5 ... 4 mm ²
AWG number as coded connectable conductor cross section	
• solid	20 ... 12
• stranded	20 ... 14
Installation/ mounting/ dimensions	
mounting position	any
fastening method	screw and snap-on mounting onto 35 mm standard mounting rail
height	100 mm
width	22.5 mm
depth	90 mm

required spacing	
<ul style="list-style-type: none"> ● with side-by-side mounting <ul style="list-style-type: none"> — forwards — backwards — upwards — downwards — at the side ● for grounded parts <ul style="list-style-type: none"> — forwards — backwards — upwards — at the side — downwards ● for live parts <ul style="list-style-type: none"> — forwards — backwards — upwards — downwards — at the side 	<ul style="list-style-type: none"> 0 mm 0 mm 0 mm 0 mm 0 mm 0 mm 0 mm 0 mm 0 mm 0 mm 0 mm 0 mm 0 mm 0 mm 0 mm

Ambient conditions	
installation altitude at height above sea level maximum	2 000 m
ambient temperature <ul style="list-style-type: none"> ● during operation ● during storage ● during transport 	<ul style="list-style-type: none"> -25 ... +60 °C -40 ... +85 °C -40 ... +85 °C
relative humidity during operation	10 ... 95 %

Certificates/ approvals

General Product Approval	Declaration of Conformity	Test Certificates
   	Miscellaneous	Type Test Certificates/Test Report

Marine / Shipping

Marine / Shipping	other
    	Confirmation

Further information

Information- and Downloadcenter (Catalogs, Brochures,...)
<https://www.siemens.com/ic10>

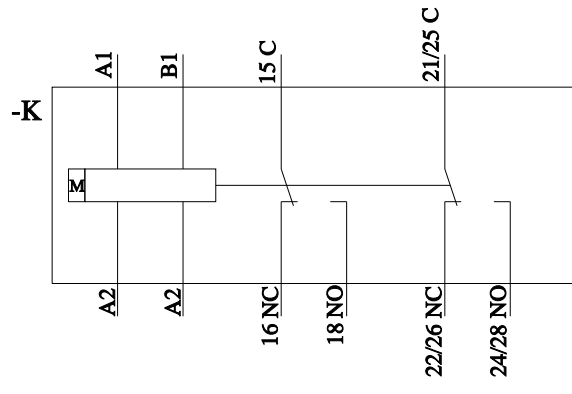
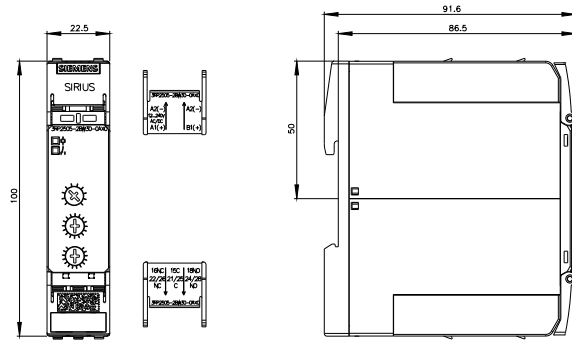
Industry Mall (Online ordering system)
<https://mall.industry.siemens.com/mall/en/en/Catalog/product?mlfb=3RP2505-2BW30-0AX0>

Cax online generator
<http://support.automation.siemens.com/WW/CAXorder/default.aspx?lang=en&mlfb=3RP2505-2BW30-0AX0>

Service&Support (Manuals, Certificates, Characteristics, FAQs,...)
<https://support.industry.siemens.com/cs/ww/en/ps/3RP2505-2BW30-0AX0>

Image database (product images, 2D dimension drawings, 3D models, device circuit diagrams, EPLAN macros, ...)
http://www.automation.siemens.com/bilddb/cax_de.aspx?mlfb=3RP2505-2BW30-0AX0&lang=en

Characteristic: Derating
<https://support.industry.siemens.com/cs/ww/en/ps/3RP2505-2BW30-0AX0/manual>



last modified:

9/2/2021