



Electronic timing relay OFF delay With control signal and semiconductor output 24-90 V AC/DC Time range 0.05...100 s Can be snapped on at the front For contactors 3RT2, S2, S3 and 3RH2 S00 contactor relays Spring-type terminal

| | |
|---|--|
| product brand name | SIRIUS |
| product designation | function module |
| product type designation | 3RA28 |
| General technical data | |
| size of contactor can be combined company-specific | S2, S3 |
| product component semi-conductor output | Yes |
| product extension required remote control | No |
| product extension optional remote control | No |
| insulation voltage for overvoltage category III according to IEC 60664 with degree of pollution 3 rated value | 300 V |
| test voltage for isolation test | 1.5 kV |
| degree of pollution | 3 |
| surge voltage resistance rated value | 4 kV |
| test voltage for surge voltage test | 4 800 V |
| protection class IP of the terminal | IP20 |
| shock resistance acc. to IEC 60068-2-27 | 15g / 11 ms |
| vibration resistance acc. to IEC 60068-2-6 | 10 ... 59 Hz: 0.35 mm, 60 ... 150 Hz: 2g |
| mechanical service life (switching cycles) typical | 100 000 000 |
| mechanical service life (switching cycles) | |
| • with contactor 3R.2 of frame size S2 | 5 000 000 |
| • with contactor 3R.2 of frame size S3 | 3 000 000 |
| electrical endurance (switching cycles) at AC-15 at 230 V typical | 10 000 000 |
| electrical endurance (switching cycles) | |
| • with contactor 3R.2 of frame size S2 | 5 000 000 |
| • with contactor 3R.2 of frame size S3 | 3 000 000 |
| adjustable time | 0.05 ... 100 s |
| relative setting accuracy relating to full-scale value | 15 % |
| minimum ON period | 35 ms |
| recovery time | 50 ms |
| reference code acc. to IEC 81346-2 | K |
| relative repeat accuracy | 1 % |
| Substance Prohibitance (Date) | 01.10.2009 00:00:00 |
| Product Function | |
| product function star-delta circuit | No |
| Control circuit/ Control | |
| type of voltage of the control supply voltage | AC/DC |
| control supply voltage 1 at AC | |
| • at 50 Hz | 24 ... 90 V |
| • at 60 Hz | 24 ... 90 V |

| | |
|--|---------------|
| control supply voltage frequency 1 | 50 ... 60 Hz |
| control supply voltage 1 • at DC | 24 ... 90 V |
| operating range factor control supply voltage rated value at DC • initial value • full-scale value | 0.85 1.1 |
| operating range factor control supply voltage rated value at AC at 50 Hz • initial value • full-scale value | 0.85 1.1 |
| operating range factor control supply voltage rated value at AC at 60 Hz • initial value • full-scale value | 0.85 1.1 |
| design of the surge suppressor | with varistor |

Switching Function

| | |
|---|---|
| switching function • ON-delay • ON-delay/instantaneous contact • passing make contact • passing make contact/instantaneous contact • OFF delay | No No No No Yes |
| switching function • flashing symmetrically with interval start/instantaneous • flashing symmetrically with interval start • flashing symmetrically with pulse start/instantaneous • flashing symmetrically with pulse start • flashing asymmetrically with interval start • flashing asymmetrically with pulse start | No No No No No No |
| switching function • constant clock cycle with pulse start • constant clock cycle with interval start | No No |
| switching function • variably clocked with pulse start • variably clocked with interval start | No No |
| switching function • star-delta circuit with delay time • star-delta circuit | No No |
| switching function with control signal • additive ON-delay • passing break contact • passing break contact/instantaneous • OFF delay • OFF delay/instantaneous • pulse delayed • pulse delayed/instantaneous • pulse-shaping • pulse-shaping/instantaneous • additive ON-delay/instantaneous • ON-delay/OFF-delay • ON-delay/OFF-delay/instantaneous • passing make contact • passing make contact/instantaneous contact | No No No Yes No No No No No No No No No No No |
| switching function of interval relay with control signal • retrotriggerable with deactivated control signal/instantaneous contact • retrotriggerable with switched-on control signal • retrotriggerable with switched-on control signal/instantaneous contact | No No No |



| | |
|---|--|
| • retriggerable with deactivated control signal | No |
| design of the control terminal non-floating | Yes |
| Auxiliary circuit | |
| number of NO contacts | |
| • delayed switching | 1 |
| operating frequency with 3RT2 contactor maximum | 2 500 1/h |
| influence of the surrounding temperature | ±1 % |
| power supply influence | ±1 % |
| Main circuit | |
| type of voltage | AC/DC |
| Inputs/ Outputs | |
| product function | |
| • non-volatile | No |
| Electromagnetic compatibility | |
| EMC immunity acc. to IEC 61812-1 | Environment A (industrial area) |
| conducted interference | |
| • due to burst acc. to IEC 61000-4-4 | 2 kV network connection / 1 kV control connection |
| • due to conductor-earth surge acc. to IEC 61000-4-5 | 2 kV |
| • due to conductor-conductor surge acc. to IEC 61000-4-5 | 1 kV |
| field-based interference acc. to IEC 61000-4-3 | 10 V/m |
| electrostatic discharge acc. to IEC 61000-4-2 | 8 kV |
| Safety related data | |
| protection class IP on the front acc. to IEC 60529 | IP20 |
| type of insulation | Basic insulation |
| category acc. to EN 954-1 | none |
| Connections/ Terminals | |
| product component removable terminal for auxiliary and control circuit | Yes |
| type of electrical connection for auxiliary and control circuit | spring-loaded terminals |
| type of connectable conductor cross-sections | |
| • solid | 0.5 ... 4 mm ² , 2x (0.5 ... 2.5 mm ²) |
| • finely stranded with core end processing | 1x (0.5 ... 2.5 mm ²), 2x (0.5 ... 1.5 mm ²) |
| • finely stranded without core end processing | 2x (0.5 ... 1.5 mm ²) |
| • at AWG cables solid | 2x (20 ... 14) |
| • at AWG cables stranded | 2x (20 ... 14) |
| connectable conductor cross-section | |
| • solid | 0.5 ... 4 mm ² |
| • finely stranded with core end processing | 0.5 ... 2.5 mm ² |
| • finely stranded without core end processing | 0.25 ... 1.5 mm ² |
| AWG number as coded connectable conductor cross section | |
| • solid | 20 ... 14 |
| • stranded | 20 ... 14 |
| Installation/ mounting/ dimensions | |
| mounting position | any (like contactor) |
| fastening method | clip-on |
| height | 38 mm |
| width | 45 mm |
| depth | 74 mm |
| required spacing | |
| • with side-by-side mounting | |
| — forwards | 0 mm |
| — backwards | 0 mm |
| — upwards | 0 mm |
| — downwards | 0 mm |
| — at the side | 0 mm |
| • for grounded parts | |
| — forwards | 0 mm |
| — backwards | 0 mm |

| | |
|------------------|------|
| — upwards | 0 mm |
| — at the side | 0 mm |
| — downwards | 0 mm |
| • for live parts | |
| — forwards | 0 mm |
| — backwards | 0 mm |
| — upwards | 0 mm |
| — downwards | 0 mm |
| — at the side | 0 mm |

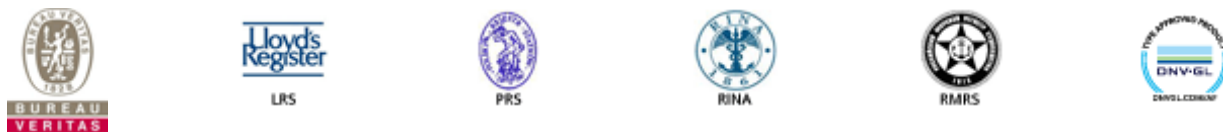
Ambient conditions

| | |
|---|----------------|
| installation altitude at height above sea level maximum | 2 000 m |
| ambient temperature | |
| • during operation | -25 ... +60 °C |
| • during storage | -40 ... +85 °C |
| • during transport | -40 ... +85 °C |
| relative humidity during operation | 0 ... 95 % |

Certificates/ approvals

| General Product Approval | Declaration of Conformity | Test Certificates | Marine / Shipping |
|---|---|---|--|
|  UL |  |  EG-Konf. | UK Declaration of Conformity Type Test Certificates/Test Report  ABS |

Marine / Shipping



other

[Confirmation](#)

Further information

Information- and Downloadcenter (Catalogs, Brochures,...)

<https://www.siemens.com/ic10>

Industry Mall (Online ordering system)

<https://mall.industry.siemens.com/mall/en/en/Catalog/product?mlfb=3RA2832-2DG10>

Cax online generator

<http://support.automation.siemens.com/WW/CAXorder/default.aspx?lang=en&mlfb=3RA2832-2DG10>

Service&Support (Manuals, Certificates, Characteristics, FAQs,...)

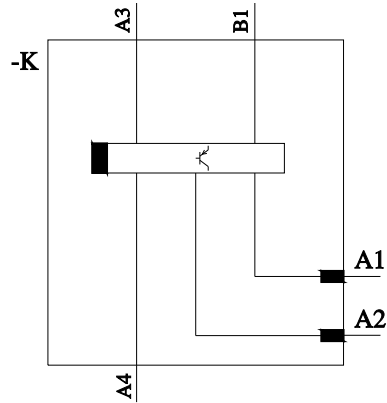
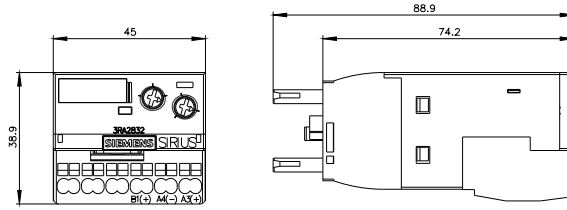
<https://support.industry.siemens.com/cs/ww/en/ps/3RA2832-2DG10>

Image database (product images, 2D dimension drawings, 3D models, device circuit diagrams, EPLAN macros, ...)

http://www.automation.siemens.com/bilddb/cax_de.aspx?mlfb=3RA2832-2DG10&lang=en

Characteristic: Derating

<https://support.industry.siemens.com/cs/ww/en/ps/3RA2832-2DG10/manual>



last modified:

12/19/2020 