



Electronic timing relay OFF delay With control signal and semiconductor output 90-240 V AC/DC Time range 0.05...100 s Can be snapped on at the front For contactors 3RT2, S2, S3 and 3RH2 S00 contactor relays Spring-type terminal

product brand name	SIRIUS
product designation	function module
product type designation	3RA28
General technical data	
size of contactor can be combined company-specific	S2, S3
product component semi-conductor output	Yes
product extension required remote control	No
product extension optional remote control	No
insulation voltage for overvoltage category III according to IEC 60664 with degree of pollution 3 rated value	300 V
test voltage for isolation test	1.5 kV
degree of pollution	3
surge voltage resistance rated value	4 kV
test voltage for surge voltage test	4 800 V
protection class IP of the terminal	IP20
shock resistance acc. to IEC 60068-2-27	15g / 11 ms
vibration resistance acc. to IEC 60068-2-6	10 ... 59 Hz: 0.35 mm, 60 ... 150 Hz: 2g
mechanical service life (switching cycles) typical	100 000 000
mechanical service life (switching cycles)	
• with contactor 3R.2 of frame size S2	5 000 000
• with contactor 3R.2 of frame size S3	3 000 000
electrical endurance (switching cycles) at AC-15 at 230 V typical	10 000 000
electrical endurance (switching cycles)	
• with contactor 3R.2 of frame size S2	5 000 000
• with contactor 3R.2 of frame size S3	3 000 000
adjustable time	0.05 ... 100 s
relative setting accuracy relating to full-scale value	15 %
minimum ON period	35 ms
recovery time	50 ms
reference code acc. to IEC 81346-2	K
relative repeat accuracy	1 %
Substance Prohibitance (Date)	01.10.2009 00:00:00
Product Function	
product function star-delta circuit	No
Control circuit/ Control	
type of voltage of the control supply voltage	AC/DC
control supply voltage 1 at AC	
• at 50 Hz	90 ... 240 V
• at 60 Hz	90 ... 240 V

control supply voltage frequency 1	50 ... 60 Hz
control supply voltage 1 • at DC	90 ... 240 V
operating range factor control supply voltage rated value at DC • initial value • full-scale value	0.85 1.1
operating range factor control supply voltage rated value at AC at 50 Hz • initial value • full-scale value	0.85 1.1
operating range factor control supply voltage rated value at AC at 60 Hz • initial value • full-scale value	0.85 1.1
design of the surge suppressor	with varistor

Switching Function

switching function • ON-delay • ON-delay/instantaneous contact • passing make contact • passing make contact/instantaneous contact • OFF delay	No No No No Yes
switching function • flashing symmetrically with interval start/instantaneous • flashing symmetrically with interval start • flashing symmetrically with pulse start/instantaneous • flashing symmetrically with pulse start • flashing asymmetrically with interval start • flashing asymmetrically with pulse start	No No No No No No
switching function • constant clock cycle with pulse start • constant clock cycle with interval start	No No
switching function • variably clocked with pulse start • variably clocked with interval start	No No
switching function • star-delta circuit with delay time • star-delta circuit	No No
switching function with control signal • additive ON-delay • passing break contact • passing break contact/instantaneous • OFF delay • OFF delay/instantaneous • pulse delayed • pulse delayed/instantaneous • pulse-shaping • pulse-shaping/instantaneous • additive ON-delay/instantaneous • ON-delay/OFF-delay • ON-delay/OFF-delay/instantaneous • passing make contact • passing make contact/instantaneous contact	No No No Yes No No No No No No No No No No No
switching function of interval relay with control signal • retrotriggerable with deactivated control signal/instantaneous contact • retrotriggerable with switched-on control signal • retrotriggerable with switched-on control signal/instantaneous contact	No No No





<ul style="list-style-type: none"> retriggerable with deactivated control signal 	No
design of the control terminal non-floating	Yes
Auxiliary circuit	
number of NO contacts	
<ul style="list-style-type: none"> delayed switching 	1
operating frequency with 3RT2 contactor maximum	2 500 1/h
influence of the surrounding temperature	±1 %
power supply influence	±1 %
Main circuit	
type of voltage	AC/DC
Inputs/ Outputs	
product function	
<ul style="list-style-type: none"> non-volatile 	No
Electromagnetic compatibility	
EMC immunity acc. to IEC 61812-1	Environment A (industrial area)
conducted interference	
<ul style="list-style-type: none"> due to burst acc. to IEC 61000-4-4 	2 kV network connection / 1 kV control connection
<ul style="list-style-type: none"> due to conductor-earth surge acc. to IEC 61000-4-5 	2 kV
<ul style="list-style-type: none"> due to conductor-conductor surge acc. to IEC 61000-4-5 	1 kV
field-based interference acc. to IEC 61000-4-3	10 V/m
electrostatic discharge acc. to IEC 61000-4-2	8 kV
Safety related data	
protection class IP on the front acc. to IEC 60529	IP20
type of insulation	Basic insulation
category acc. to EN 954-1	none
Connections/ Terminals	
product component removable terminal for auxiliary and control circuit	Yes
type of electrical connection for auxiliary and control circuit	spring-loaded terminals
type of connectable conductor cross-sections	
<ul style="list-style-type: none"> solid 	0.5 ... 4 mm ² , 2x (0.5 ... 2.5 mm ²)
<ul style="list-style-type: none"> finely stranded with core end processing 	1x (0.5 ... 2.5 mm ²), 2x (0.5 ... 1.5 mm ²)
<ul style="list-style-type: none"> finely stranded without core end processing 	2x (0.5 ... 1.5 mm ²)
<ul style="list-style-type: none"> at AWG cables solid 	2x (20 ... 14)
<ul style="list-style-type: none"> at AWG cables stranded 	2x (20 ... 14)
connectable conductor cross-section	
<ul style="list-style-type: none"> solid 	0.5 ... 4 mm ²
<ul style="list-style-type: none"> finely stranded with core end processing 	0.5 ... 2.5 mm ²
<ul style="list-style-type: none"> finely stranded without core end processing 	0.25 ... 1.5 mm ²
AWG number as coded connectable conductor cross section	
<ul style="list-style-type: none"> solid 	20 ... 14
<ul style="list-style-type: none"> stranded 	20 ... 14
Installation/ mounting/ dimensions	
mounting position	any (like contactor)
fastening method	clip-on
height	38 mm
width	45 mm
depth	74 mm
required spacing	
<ul style="list-style-type: none"> with side-by-side mounting <ul style="list-style-type: none"> — forwards — backwards — upwards — downwards — at the side for grounded parts <ul style="list-style-type: none"> — forwards — backwards 	0 mm 0 mm 0 mm 0 mm 0 mm 0 mm 0 mm 0 mm

— upwards	0 mm
— at the side	0 mm
— downwards	0 mm
• for live parts	
— forwards	0 mm
— backwards	0 mm
— upwards	0 mm
— downwards	0 mm
— at the side	0 mm

Ambient conditions

installation altitude at height above sea level maximum	2 000 m
ambient temperature	
• during operation	-25 ... +60 °C
• during storage	-40 ... +85 °C
• during transport	-40 ... +85 °C
relative humidity during operation	0 ... 95 %

Certificates/ approvals

General Product Approval	Declaration of Conformity	Test Certificates	Marine / Shipping
 UL		UK Declaration of Conformity	 EG-Konf.
		Type Test Certificates/Test Report	 ABS

Marine / Shipping



other

[Confirmation](#)

Further information

Information- and Downloadcenter (Catalogs, Brochures,...)
<https://www.siemens.com/ic10>

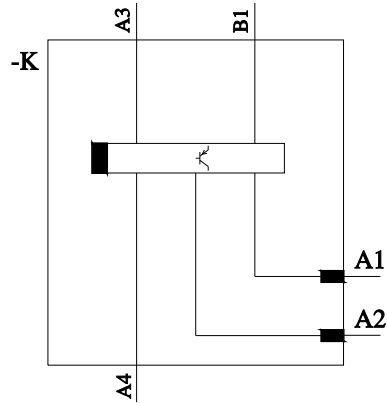
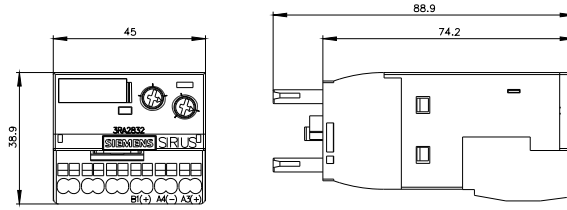
Industry Mall (Online ordering system)
<https://mall.industry.siemens.com/mall/en/en/Catalog/product?mlfb=3RA2832-2DH10>

Cax online generator
<http://support.automation.siemens.com/WW/CAXorder/default.aspx?lang=en&mlfb=3RA2832-2DH10>

Service&Support (Manuals, Certificates, Characteristics, FAQs,...)
<https://support.industry.siemens.com/cs/ww/en/ps/3RA2832-2DH10>

Image database (product images, 2D dimension drawings, 3D models, device circuit diagrams, EPLAN macros, ...)
http://www.automation.siemens.com/bilddb/cax_de.aspx?mlfb=3RA2832-2DH10&lang=en

Characteristic: Derating
<https://support.industry.siemens.com/cs/ww/en/ps/3RA2832-2DH10/manual>



last modified:

12/19/2020 