



stand-alone assembly support for
 3RU21/3RB30/3RB31/3RR2 Size S00 Stand-alone
 installation Main circuit: Spring-type terminal Auxiliary circuit:
 --

General technical data

product brand name		SIRIUS
product designation		individual mount
size of overload relay		S00
protection class IP on the front acc. to IEC 60529		IP20
touch protection on the front acc. to IEC 60529		finger-safe, for vertical contact from the front
ambient temperature		
• during storage	°C	-50 ... +80
• during operation	°C	-20 ... +70

Installation/ mounting/ dimensions

fastening method		screw and snap-on mounting onto 35 mm standard mounting rail
width	mm	45
height	mm	102
depth	mm	68

Connections/ Terminals

type of electrical connection		
• for main current circuit		spring-loaded terminals
type of connectable conductor cross-sections		
• for main contacts finely stranded		0.5 ... 2.5 mm ²
— with core end processing		
• at AWG cables for main contacts		1x (20 ... 12)

Certificates/ approvals

General Product Approval	Declaration of Conformity	Test Certificates
--------------------------	---------------------------	-------------------



[Type Test Certificates/Test Report](#)

[Special Test Certificate](#)

Marine / Shipping





[Confirmation](#)

Further information

Information- and Downloadcenter (Catalogs, Brochures,...)

<https://www.siemens.com/ic10>

Industry Mall (Online ordering system)

<https://mall.industry.siemens.com/mall/en/en/Catalog/product?mfb=3RU2916-3AC01>

Cax online generator

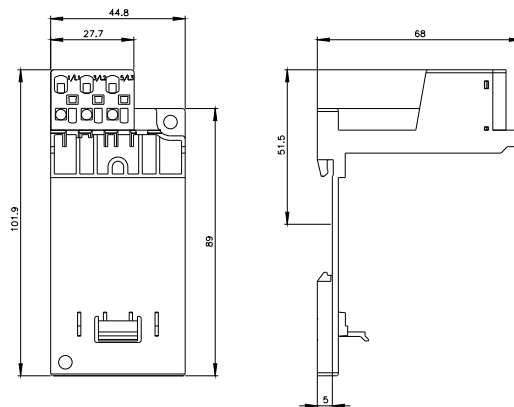
<http://support.automation.siemens.com/WW/CAXorder/default.aspx?lang=en&mfb=3RU2916-3AC01>

Service&Support (Manuals, Certificates, Characteristics, FAQs,...)

<https://support.industry.siemens.com/cs/en/en/ps/3RU2916-3AC01>

Image database (product images, 2D dimension drawings, 3D models, device circuit diagrams, EPLAN macros, ...)

http://www.automation.siemens.com/bilddb/cax_de.aspx?mfb=3RU2916-3AC01&lang=en



1/L1

3/L2

5/L3

--	--	--	--

last modified:

12/15/2020