

supplementary handle for door mounted rotary operator emergency-stop  
accessory for: 3VA5 125



Model	
product brand name	SENTRON
product designation	Accessories
Product version	Additional handle for door-coupling rotary operating mechanism
Accessories	supplementary handle for door-coupling rotary operating mechanism
Mechanical Design	
Height	45 mm
Width	45 mm
depth	36 mm
net weight	45 g
Further information	

**Information- and Downloadcenter (Catalogs, Brochures,...)**

<http://www.siemens.com/lowvoltage/catalogs>

**Industry Mall (Online ordering system)**

<https://mall.industry.siemens.com/mall/en/en/Catalog/product?mlfb=3VA9137-0GC05>

**Service&Support (Manuals, Certificates, Characteristics, FAQs,...)**

<https://support.industry.siemens.com/cs/ww/en/ps/3VA9137-0GC05>

**Image database (product images, 2D dimension drawings, 3D models, device circuit diagrams, ...)**

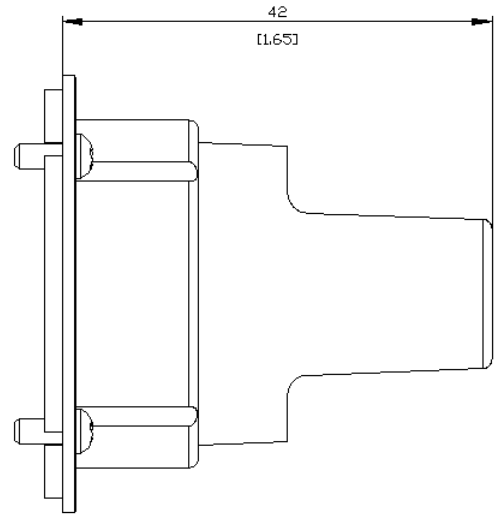
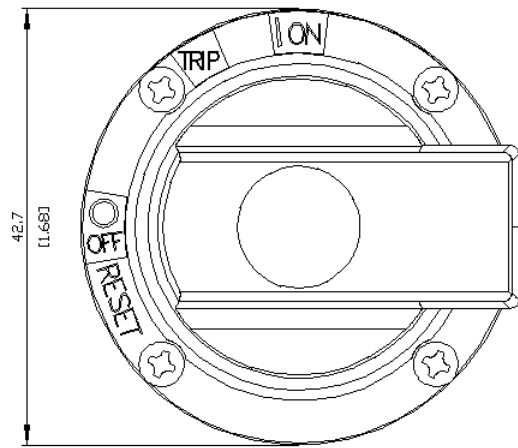
[http://www.automation.siemens.com/bilddb/cax\\_en.aspx?mlfb=3VA9137-0GC05](http://www.automation.siemens.com/bilddb/cax_en.aspx?mlfb=3VA9137-0GC05)

**CAX-Online-Generator**

<http://www.siemens.com/cax>

**Tender specifications**

<http://www.siemens.com/specifications>



last modified:

9/23/2021 

