



Solid-state contactor 3-phase 3RF3 AC 53 / 7.4 A / 40 °C 48-480 V / 24 V  
DC Reversing circuit Instantaneous switching screw terminal

<b>product brand name</b>	SIRIUS
<b>product designation</b>	solid-state reversing contactor
<b>design of the product</b>	two-phase controlled
<b>product type designation</b>	3RF34
<b>manufacturer's article number</b>	
<ul style="list-style-type: none"> <li>• _1 of the accessories that can be ordered</li> <li>• _2 of the accessories that can be ordered</li> </ul>	<a href="#">3RA2921-1BA00</a> <a href="#">3RF3900-0QA88</a>
<b>product designation</b>	
<ul style="list-style-type: none"> <li>• _1 of the accessories that can be ordered</li> <li>• _2 of the accessories that can be ordered</li> </ul>	Link module Connection adapter
<b>General technical data</b>	
<b>product function</b>	instantaneous switching
<b>power loss [W] for rated value of the current at AC in hot operating state</b>	13 W
<ul style="list-style-type: none"> <li>• per pole</li> </ul>	4.33 W
<b>power loss [W] for rated value of the current without load current share typical</b>	0.4 W
<b>insulation voltage rated value</b>	600 V
<b>type of voltage of the control supply voltage</b>	DC
<b>surge voltage resistance of main circuit rated value</b>	6 kV
<b>shock resistance acc. to IEC 60068-2-27</b>	15g / 11 ms
<b>vibration resistance acc. to IEC 60068-2-6</b>	2g
<b>certificate of suitability</b>	CE / UL / CSA / CCC / C-Tick (RCM)
<b>reference code acc. to IEC 81346-2</b>	Q
<b>Substance Prohibitance (Date)</b>	28.05.2009 00:00:00
<b>Main circuit</b>	
<b>number of poles for main current circuit</b>	3
<b>number of NO contacts for main contacts</b>	2
<b>number of NC contacts for main contacts</b>	0
<b>operating voltage at AC</b>	
<ul style="list-style-type: none"> <li>• at 50 Hz rated value</li> <li>• at 60 Hz rated value</li> </ul>	48 ... 480 V 48 ... 480 V
<b>operating frequency rated value</b>	50 ... 60 Hz
<b>relative symmetrical tolerance of the operating frequency</b>	10 %
<b>operating range relative to the operating voltage at AC</b>	
<ul style="list-style-type: none"> <li>• at 50 Hz</li> <li>• at 60 Hz</li> </ul>	40 ... 506 V 40 ... 506 V
<b>operational current</b>	
<ul style="list-style-type: none"> <li>• at AC-3 at 400 V rated value</li> </ul>	7.4 A

<ul style="list-style-type: none"> <li>at AC-53a at 400 V at ambient temperature 40 °C rated value</li> </ul>	7.4 A
<b>operational current minimum</b>	500 mA
<b>operating power</b>	
<ul style="list-style-type: none"> <li>at AC-3 at 400 V rated value</li> </ul>	3 kW
<b>rate of voltage rise at the thyristor for main contacts maximum permissible</b>	1 000 V/μs
<b>blocking voltage at the thyristor for main contacts maximum permissible</b>	1 200 V
<b>reverse current of the thyristor</b>	10 mA
<b>derating temperature</b>	40 °C
<b>surge current resistance rated value</b>	600 A
<b>I<sup>2</sup>t value maximum</b>	1 800 A <sup>2</sup> ·s
<b>Control circuit/ Control</b>	
<b>type of voltage of the control supply voltage</b>	DC
<b>control supply voltage 1</b>	
<ul style="list-style-type: none"> <li>at DC rated value</li> </ul>	24 V
<b>control supply voltage</b>	
<ul style="list-style-type: none"> <li>at DC initial value for signal &lt;1&gt; detection</li> </ul>	15 V
<ul style="list-style-type: none"> <li>at DC full-scale value for signal&lt;0&gt; recognition</li> </ul>	5 V
<b>symmetrical line frequency tolerance</b>	5 Hz
<b>operating range factor control supply voltage rated value at DC</b>	
<ul style="list-style-type: none"> <li>initial value</li> </ul>	0.63
<ul style="list-style-type: none"> <li>full-scale value</li> </ul>	1.25
<b>control current at minimum control supply voltage</b>	
<ul style="list-style-type: none"> <li>at DC</li> </ul>	2 mA
control current at DC rated value	15 mA
<b>ON-delay time</b>	5 ms
<b>OFF-delay time</b>	5 ms; additionally max. one half-wave
<b>switchover delay of reversing contactor</b>	60 ... 100 ms
<b>Auxiliary circuit</b>	
<b>number of NC contacts for auxiliary contacts</b>	0
<b>number of NO contacts for auxiliary contacts</b>	0
number of CO contacts for auxiliary contacts	0
<b>Installation/ mounting/ dimensions</b>	
<b>mounting position</b>	vertical
<b>fastening method</b>	screw and snap-on mounting onto 35 mm standard mounting rail
<ul style="list-style-type: none"> <li>side-by-side mounting</li> </ul>	Yes
<b>height</b>	95 mm
<b>width</b>	90 mm
<b>depth</b>	113.8 mm
required spacing with side-by-side mounting	
<ul style="list-style-type: none"> <li>upwards</li> </ul>	70 mm
<ul style="list-style-type: none"> <li>downwards</li> </ul>	50 mm
<b>Connections/ Terminals</b>	
product component removable terminal for auxiliary and control circuit	Yes
<b>type of electrical connection</b>	
<ul style="list-style-type: none"> <li>for main current circuit</li> </ul>	screw-type terminals
<ul style="list-style-type: none"> <li>for auxiliary and control circuit</li> </ul>	screw-type terminals
<b>type of connectable conductor cross-sections</b>	
<ul style="list-style-type: none"> <li>for main contacts</li> </ul>	
<ul style="list-style-type: none"> <li>— solid</li> </ul>	2x (1.5 ... 2.5 mm <sup>2</sup> ), 2x (2.5 ... 6 mm <sup>2</sup> )
<ul style="list-style-type: none"> <li>— finely stranded with core end processing</li> </ul>	2x (1 ... 2.5 mm <sup>2</sup> ), 2x (2.5 ... 6 mm <sup>2</sup> ), 1x 10 mm <sup>2</sup>
<ul style="list-style-type: none"> <li>at AWG cables for main contacts</li> </ul>	2x (14 ... 10)
<b>connectable conductor cross-section for main contacts</b>	
<ul style="list-style-type: none"> <li>solid or stranded</li> </ul>	1.5 ... 6 mm <sup>2</sup>
<ul style="list-style-type: none"> <li>finely stranded with core end processing</li> </ul>	1 ... 10 mm <sup>2</sup>
<b>type of connectable conductor cross-sections</b>	

<ul style="list-style-type: none"> <li>• for auxiliary and control contacts <ul style="list-style-type: none"> <li>— solid</li> <li>— finely stranded with core end processing</li> <li>— finely stranded without core end processing</li> </ul> </li> <li>• at AWG cables for auxiliary and control contacts</li> </ul>	<p>1x (0.5 ... 2.5 mm<sup>2</sup>), 2x (0.5 ... 1.0 mm<sup>2</sup>)</p> <p>1x (0.5 ... 2.5 mm<sup>2</sup>), 2x (0.5 ... 1.0 mm<sup>2</sup>)</p> <p>1x (0.5 ... 2.5 mm<sup>2</sup>), 2x (0.5 ... 1.0 mm<sup>2</sup>)</p> <p>1x (AWG 20 ... 12)</p>
AWG number as coded connectable conductor cross section for main contacts	14 ... 10
<b>tightening torque</b>	
<ul style="list-style-type: none"> <li>• for main contacts with screw-type terminals</li> <li>• for auxiliary and control contacts with screw-type terminals</li> </ul>	<p>2 ... 2.5 N·m</p> <p>0.5 ... 0.6 N·m</p>
<b>tightening torque [lbf·in]</b>	
<ul style="list-style-type: none"> <li>• for main contacts with screw-type terminals</li> <li>• for auxiliary and control contacts with screw-type terminals</li> </ul>	<p>18 ... 22 lbf·in</p> <p>7.5 ... 5.3 lbf·in</p>
<b>design of the thread of the connection screw</b>	
<ul style="list-style-type: none"> <li>• for main contacts</li> <li>• of the auxiliary and control contacts</li> </ul>	<p>M4</p> <p>M3</p>
<b>stripped length of the cable</b>	
<ul style="list-style-type: none"> <li>• for main contacts</li> <li>• for auxiliary and control contacts</li> </ul>	<p>10 mm</p> <p>7 mm</p>
<b>UL/CSA ratings</b>	
<b>full-load current (FLA) for 3-phase AC motor</b>	
<ul style="list-style-type: none"> <li>• at 480 V rated value</li> </ul>	4.8 A
yielded mechanical performance [hp] for 3-phase AC motor	
<ul style="list-style-type: none"> <li>• at 200/208 V rated value</li> <li>• at 220/230 V rated value</li> <li>• at 460/480 V rated value</li> </ul>	<p>1.5 hp</p> <p>2 hp</p> <p>3 hp</p>
<b>Safety related data</b>	
proportion of dangerous failures with high demand rate acc. to SN 31920	50 %
<b>MTTF with high demand rate</b>	39 y
<b>T1 value for proof test interval or service life acc. to IEC 61508</b>	6 y
<b>protection class IP on the front acc. to IEC 60529</b>	IP20
<b>touch protection on the front acc. to IEC 60529</b>	finger-safe, for vertical contact from the front
<b>Ambient conditions</b>	
installation altitude at height above sea level maximum	1 000 m
<b>ambient temperature</b>	
<ul style="list-style-type: none"> <li>• during operation</li> <li>• during storage</li> </ul>	<p>-25 ... +60 °C</p> <p>-55 ... +80 °C</p>
<b>Electromagnetic compatibility</b>	
<b>conducted interference</b>	
<ul style="list-style-type: none"> <li>• due to burst acc. to IEC 61000-4-4</li> <li>• due to conductor-earth surge acc. to IEC 61000-4-5</li> <li>• due to conductor-conductor surge acc. to IEC 61000-4-5</li> <li>• due to high-frequency radiation acc. to IEC 61000-4-6</li> </ul>	<p>2 kV / 5 kHz behavior criterion 2</p> <p>2 kV behavior criterion 2</p> <p>1 kV behavior criterion 2</p> <p>140 dBuV in the frequency range 0.15 ... 80 MHz, behavior criterion 1</p>
<b>electrostatic discharge acc. to IEC 61000-4-2</b>	4 kV contact discharging / 8 kV air discharging, behavior criterion 2
<b>conducted HF interference emissions acc. to CISPR11</b>	Class A for industrial environment
<b>field-bound HF interference emission acc. to CISPR11</b>	Class A for industrial environment
<b>Short-circuit protection, design of the fuse link</b>	
manufacturer's article number	
<ul style="list-style-type: none"> <li>• of full range R fuse link for semiconductor protection at NH design usable</li> <li>• of full range R fuse link for semiconductor protection at cylindrical design usable</li> <li>• of back-up R fuse link for semiconductor protection at NH design usable</li> <li>• of back-up R fuse link for semiconductor protection</li> </ul>	<p><a href="#">3NE1802-0</a></p> <p><a href="#">5SE1335</a></p> <p><a href="#">3NE8020-1</a></p> <p><a href="#">3NC1032</a></p>

- at cylindrical design 10 x 38 mm usable
- of back-up R fuse link for semiconductor protection at cylindrical design 14 x 51 mm usable
- of back-up R fuse link for semiconductor protection at cylindrical design 22 x 58 mm usable

[3NC1450](#)

[3NC2263](#)

manufacturer's article number of the gG fuse

- at NH design usable

[3NA3805-6](#)

manufacturer's article number

- of DIAZED fuse usable

[5SB311](#)

#### Certificates/ approvals

General Product Approval

EMC

Declaration of Conformity



Test Certificates

other

[Type Test Certificates/Test Report](#)

[Confirmation](#)

#### Further information

Information- and Downloadcenter (Catalogs, Brochures,...)

<https://www.siemens.com/ic10>

Industry Mall (Online ordering system)

<https://mall.industry.siemens.com/mall/en/en/Catalog/product?mfb=3RF3410-1BD04>

Cax online generator

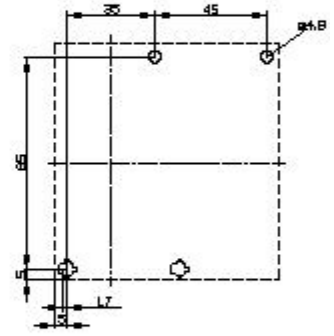
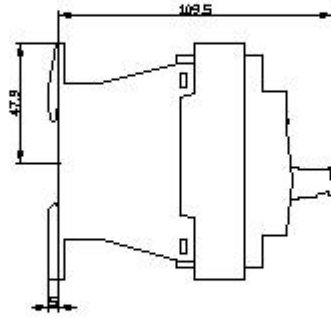
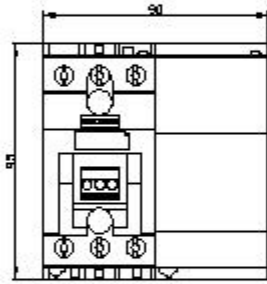
<http://support.automation.siemens.com/WW/CAXorder/default.aspx?lang=en&mfb=3RF3410-1BD04>

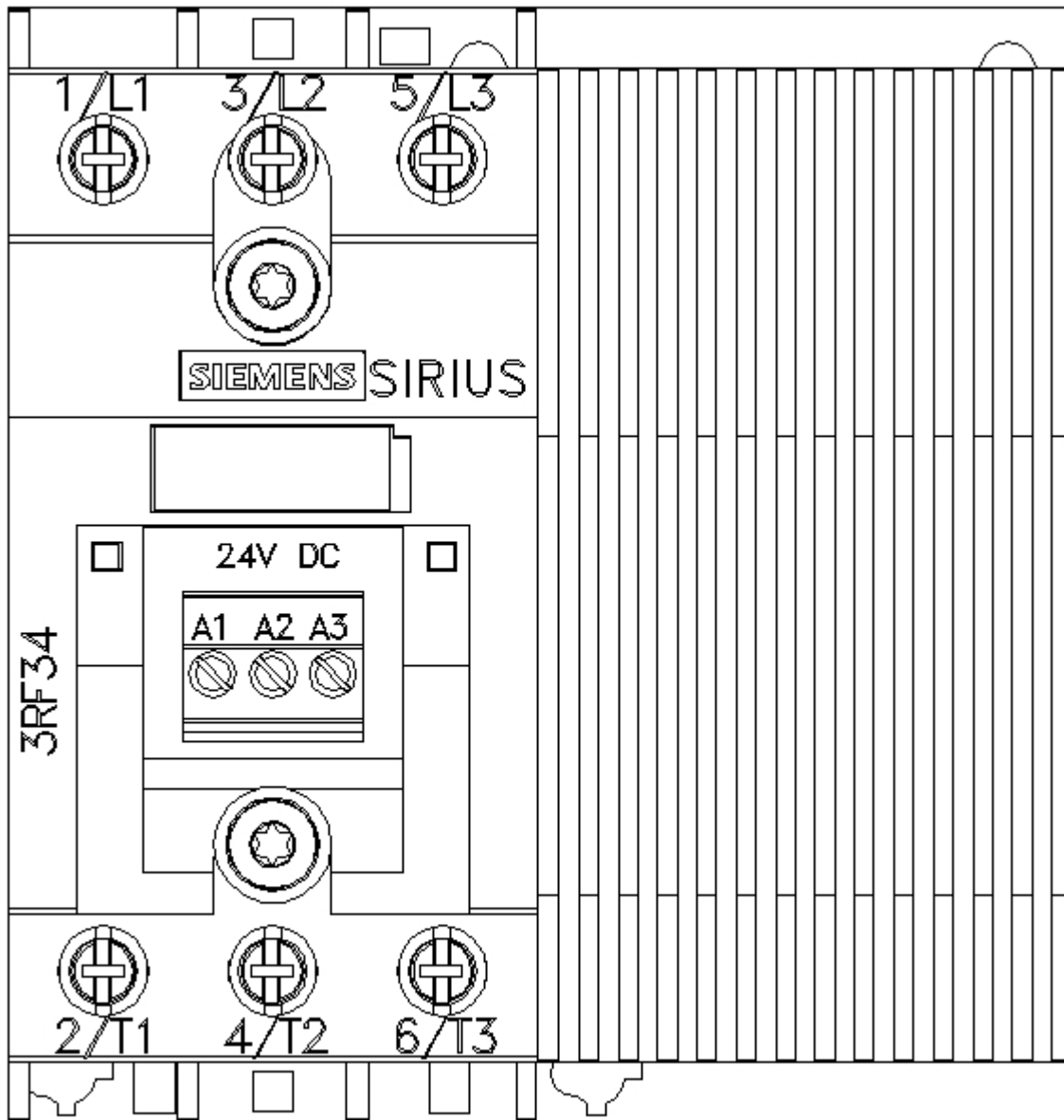
Service&Support (Manuals, Certificates, Characteristics, FAQs,...)

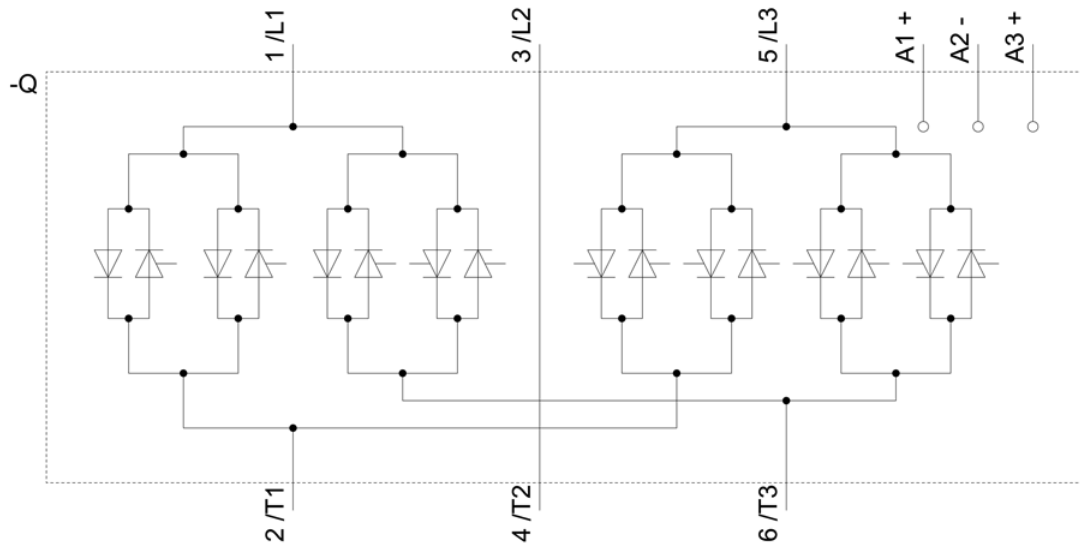
<https://support.industry.siemens.com/cs/ww/en/ps/3RF3410-1BD04>

Image database (product images, 2D dimension drawings, 3D models, device circuit diagrams, EPLAN macros, ...)

[http://www.automation.siemens.com/bilddb/cax\\_de.aspx?mfb=3RF3410-1BD04&lang=en](http://www.automation.siemens.com/bilddb/cax_de.aspx?mfb=3RF3410-1BD04&lang=en)







last modified:

3/11/2021 