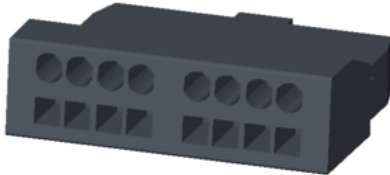


Auxiliary switch transverse 1 NO+1 NC spring-type terminal for circuit breaker 3RV2



General technical data		
product brand name		SIRIUS
product designation		auxiliary switch, transverse on the front
design of the product		transverse auxiliary switches
size of the circuit-breaker		S00, S0, S2, S3
protection class IP on the front acc. to IEC 60529		IP20
touch protection on the front acc. to IEC 60529		finger-safe, for vertical contact from the front
ambient temperature		
• during storage	°C	-50 ... +80
• during operation	°C	-20 ... +60
Auxiliary circuit		
number of NC contacts for auxiliary contacts instantaneous contact		1
number of NO contacts for auxiliary contacts instantaneous contact		1
number of CO contacts of auxiliary contacts instantaneous contact		0
operational current		
• of auxiliary contacts		
— at AC-12		
— at 24 V	A	2.5
— at 230 V	A	2.5
— maximum	A	2.5
— at AC-15		
— at 24 V	A	2
— at 230 V	A	0.5
— at DC-13		
— at 24 V	A	1
— at 48 V	A	0.3
— at 60 V	A	0.15
Installation/ mounting/ dimensions		
fastening method		plug-in fixing
width	mm	45
height	mm	13
depth	mm	17
Connections/ Terminals		
type of electrical connection for auxiliary and control circuit		spring-loaded terminals
type of connectable conductor cross-sections		
• for auxiliary contacts		
— solid		2x (0.5 ... 2.5 mm <sup>2</sup> )

- finely stranded
- with core end processing
- without core end processing
- at AWG cables for auxiliary contacts

2x (0.5 ... 1.5 mm<sup>2</sup>)  
 2x (0.5 ... 1.5 mm<sup>2</sup>)  
 2x (20 ... 14)

### Certificates/ approvals

certificate of suitability CE / UL / CSA / CCC

General Product Approval

Declaration of Conformity



[KC](#)



[UK Declaration of Conformity](#)

Declaration of Conformity

Test Certificates

Marine / Shipping



[Special Test Certificate](#)

[Type Test Certificates/Test Report](#)



Marine / Shipping

other



[Confirmation](#)



Railway

[Vibration and Shock](#)

[Confirmation](#)

### Further information

Information- and Downloadcenter (Catalogs, Brochures,...)

<https://www.siemens.com/ic10>

Industry Mall (Online ordering system)

<https://mall.industry.siemens.com/mall/en/en/Catalog/product?mlfb=3RV2901-2E>

Cax online generator

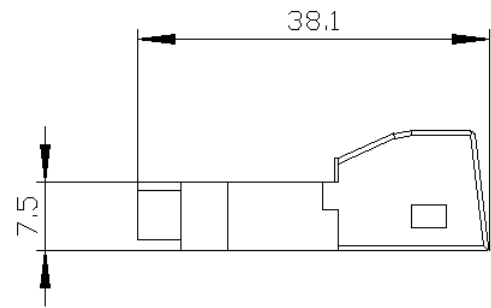
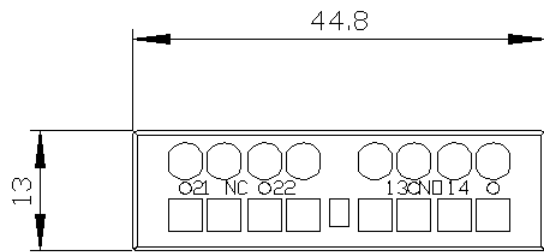
<http://support.automation.siemens.com/WW/CAXorder/default.aspx?lang=en&mlfb=3RV2901-2E>

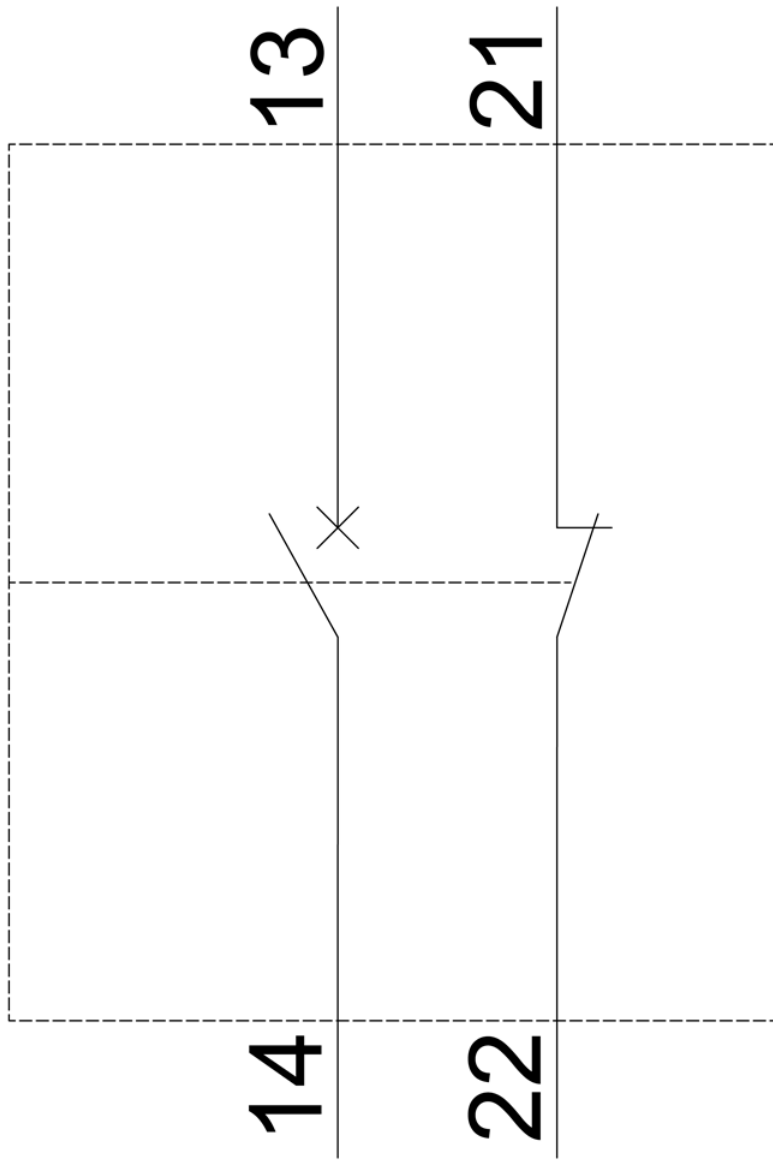
Service&Support (Manuals, Certificates, Characteristics, FAQs,...)

<https://support.industry.siemens.com/cs/ww/en/ps/3RV2901-2E>

Image database (product images, 2D dimension drawings, 3D models, device circuit diagrams, EPLAN macros, ...)

[http://www.automation.siemens.com/bilddb/cax\\_de.aspx?mlfb=3RV2901-2E&lang=en](http://www.automation.siemens.com/bilddb/cax_de.aspx?mlfb=3RV2901-2E&lang=en)





last modified:

6/26/2021 