



Shaft support for door-coupling rotary operating mechanism for harsh conditions Size S00...S3

General technical data			
product brand name		SIRIUS	
product designation		shaft support	
size of the circuit-breaker		S00, S0, S2, S3	
suitability for use		Circuit breaker S00, S0, S2, S3	
color of the actuating element		black	
Installation/ mounting/ dimensions			
mounting position		any	
fastening method		screw fixing	
Certificates/ approvals			
certificate of suitability		CE / UL / CSA	
General Product Approval		Test Certificates	Marine / Shipping other



[Type Test Certificates/Test Report](#)



[Confirmation](#)

other



Further information

Information- and Downloadcenter (Catalogs, Brochures,...)

<https://www.siemens.com/ic10>

Industry Mall (Online ordering system)

<https://mall.industry.siemens.com/mall/en/en/Catalog/product?mlfb=3RV2926-0P>

Cax online generator

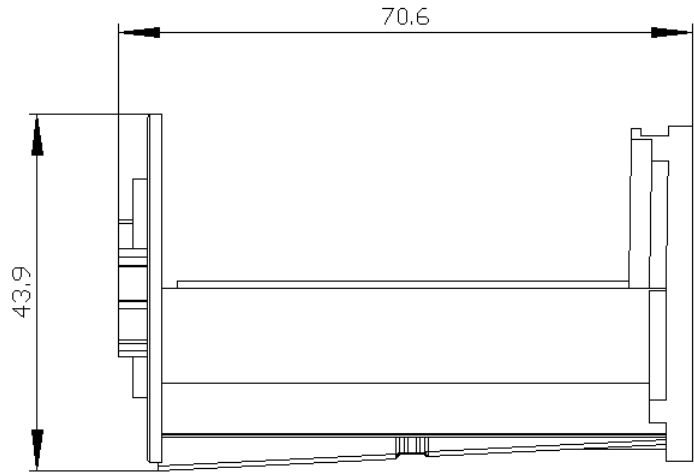
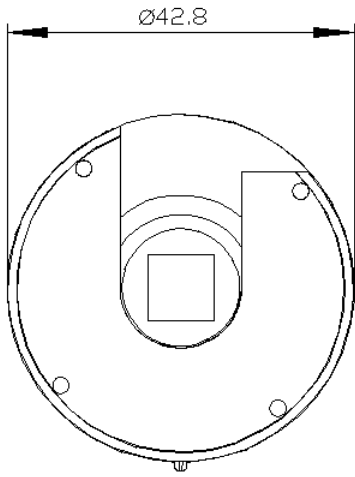
<http://support.automation.siemens.com/WW/CAXorder/default.aspx?lang=en&mlfb=3RV2926-0P>

Service&Support (Manuals, Certificates, Characteristics, FAQs,...)

<https://support.industry.siemens.com/cs/ww/en/ps/3RV2926-0P>

Image database (product images, 2D dimension drawings, 3D models, device circuit diagrams, EPLAN macros, ...)

http://www.automation.siemens.com/bilddb/cax_de.aspx?mlfb=3RV2926-0P&lang=en



last modified:

12/19/2020 