



Toggle switch, 22 mm, round, plastic, black, 2 switch positions O<l, momentary contact type, connection from top

|   |   |
|---|---|
| product brand name                                  | SIRIUS ACT  |
| product designation                                 | Toggle switches   |
| design of the product                               | Actuating/signaling element   |
| product type designation                            | 3SU1  |
| product line  | Plastic, black, 22 mm   |
| <b>Enclosure</b>                                    |   |
| number of command points                            | 1   |
| <b>Actuator</b>                                     |   |
| principle of operation of the actuating element     | momentary contact, reset from above                                 |
| product extension optional                          |   |
| • light source                                      | No  |
| • contact module                                    | Yes   |
| color   |   |
| • of the actuating element                          | black   |
| material of the actuating element                   | plastic   |
| shape of the actuating element                      | Toggle lever  |
| outer diameter of the actuating element             | 29.45 mm  |
| number of switching positions                       | 2   |
| <b>Front ring</b>                                   |   |
| product component front ring                        | Yes   |
| design of the front ring                            | Standard  |
| material of the front ring                          | plastic   |
| color of the front ring                             | black   |
| <b>General technical data</b>                       |   |
| protection class IP                                 | IP66, IP67, IP69(IP69K)   |
| degree of protection NEMA rating                    | 1, 2, 3, 3R, 4, 4X, 12, 13  |
| shock resistance                                    |   |
| • acc. to IEC 60068-2-27                            | Sinusoidal half-wave 50g / 11 ms                                    |
| vibration resistance                                |   |
| • acc. to IEC 60068-2-6                             | 10 ... 500 Hz: 5g   |
| operating frequency maximum                         | 1 800 1/h   |
| mechanical service life (switching cycles) typical  | 1 000 000   |
| reference code acc. to IEC 81346-2                  | S   |
| Substance Prohibitance (Date)                       | 01.10.2014 00:00:00   |
| <b>Ambient conditions</b>                           |   |
| ambient temperature                                 |   |
| • during operation                                  | -25 ... +70 °C  |
| • during storage                                    | -40 ... +80 °C  |
| environmental category during operation acc. to IEC | 3M6, 3S2, 3B2, 3C3, 3K6 (with relative air humidity of 10 ... 95 %) |

| 60721                                       |          |
|---|----------|
| Installation/ mounting/ dimensions          |          |
| shape of the installation opening           | round    |
| mounting diameter                           | 22.3 mm  |
| positive tolerance of installation diameter | 0.4 mm   |
| mounting height                             | 22.3 mm  |
| installation width                          | 29.45 mm |
| installation depth                          | 26.3 mm  |

| Certificates/ approvals  |                           |
|--------------------------|---------------------------|
| General Product Approval | Declaration of Conformity |



[UK Declaration of Conformity](#)



[Type Test Certificates/Test Report](#)

| Marine / Shipping | other |
|-------------------|-------|
|-------------------|-------|



[Confirmation](#)

| Further information |
|---------------------|
|---------------------|

Information- and Downloadcenter (Catalogs, Brochures,...)

<https://www.siemens.com/ic10>

Industry Mall (Online ordering system)

<https://mall.industry.siemens.com/mall/en/en/Catalog/product?mlfb=3SU1000-3EC10-0AA0>

Cax online generator

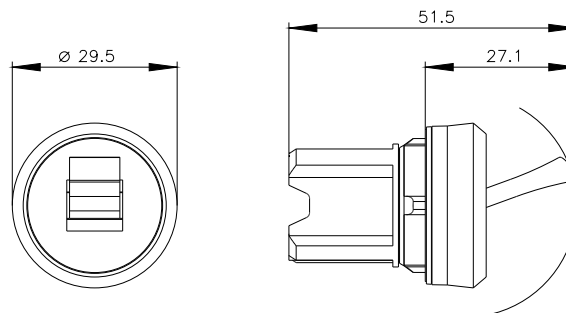
<http://support.automation.siemens.com/WW/CAXorder/default.aspx?lang=en&mlfb=3SU1000-3EC10-0AA0>

Service&Support (Manuals, Certificates, Characteristics, FAQs,...)

<https://support.industry.siemens.com/cs/ww/en/ps/3SU1000-3EC10-0AA0>

Image database (product images, 2D dimension drawings, 3D models, device circuit diagrams, EPLAN macros, ...)

[http://www.automation.siemens.com/bilddb/cax\\_de.aspx?mlfb=3SU1000-3EC10-0AA0&lang=en](http://www.automation.siemens.com/bilddb/cax_de.aspx?mlfb=3SU1000-3EC10-0AA0&lang=en)



last modified:

10/6/2021