



Quadruple pushbutton, 22 mm, round, plastic, black, pushbuttons, flat,
Symbol: Arrow pointing left, right, up and down

| | |
|--|----------------------------------|
| product brand name | SIRIUS ACT |
| product designation | quadruple pushbutton |
| design of the product | Actuating/signaling element |
| product type designation | 3SU1 |
| product line | Plastic, black, 22 mm |
| Enclosure | |
| number of command points | 4 |
| Actuator | |
| design of the actuating element | without mechanical interlock |
| principle of operation of the actuating element | momentary contact type |
| product extension optional | |
| • light source | No |
| • contact module | Yes |
| color of the actuating element | black |
| material of the actuating element | plastic |
| shape of the actuating element | Clover-leaf |
| outer diameter of the actuating element | 57.6 mm |
| Front ring | |
| product component front ring | Yes |
| design of the front ring | standard |
| material of the front ring | plastic |
| color of the front ring | black |
| General technical data | |
| protection class IP | IP65, IP66 |
| degree of protection NEMA rating | 1, 2, 3, 3R, 4, 4X |
| shock resistance | |
| • acc. to IEC 60068-2-27 | Sinusoidal half-wave 50g / 11 ms |
| • for railway applications acc. to DIN EN 61373 | Category 1, Class B |
| vibration resistance | |
| • acc. to IEC 60068-2-6 | 10 ... 500 Hz: 5g |
| • for railway applications acc. to DIN EN 61373 | Category 1, Class B |
| operating frequency maximum | 3 600 1/h |
| mechanical service life (switching cycles) | |
| • typical | 200 000 |
| reference code acc. to IEC 81346-2 | S |
| Substance Prohibitance (Date) | 01.10.2014 00:00:00 |
| Safety related data | |
| B10 value with high demand rate acc. to SN 31920 | 100 000 |
| proportion of dangerous failures | |

| | |
|---|---------|
| • with low demand rate acc. to SN 31920 | 20 % |
| • with high demand rate acc. to SN 31920 | 20 % |
| failure rate [FIT] with low demand rate acc. to SN 31920 | 100 FIT |
| T1 value for proof test interval or service life acc. to IEC 61508 | 20 y |

| Ambient conditions | |
|---|---|
| ambient temperature | |
| • during operation | -25 ... +70 °C |
| • during storage | -40 ... +80 °C |
| environmental category during operation acc. to IEC 60721 | 3M6, 3S2, 3B2, 3C3, 3K6 (with relative air humidity of 10 ... 95 %) |

| Installation/ mounting/ dimensions | |
|---|---------|
| height | 57.6 mm |
| width | 57.6 mm |
| shape of the installation opening | round |
| mounting diameter | 22.3 mm |
| positive tolerance of installation diameter | 0.4 mm |
| mounting height | 18 mm |
| installation width | 57.6 mm |
| installation depth | 25.9 mm |

| Certificates/ approvals | | |
|--------------------------|---------------------------|-------------------|
| General Product Approval | Declaration of Conformity | Test Certificates |



[UK Declaration of Conformity](#)



[Type Test Certificates/Test Report](#)

| Marine / Shipping | other |
|-------------------|-------|
|-------------------|-------|



[Confirmation](#)

Further information

Information- and Downloadcenter (Catalogs, Brochures,...)

<https://www.siemens.com/ic10>

Industry Mall (Online ordering system)

<https://mall.industry.siemens.com/mall/en/en/Catalog/product?mlfb=3SU1000-3FB11-0AU0>

Cax online generator

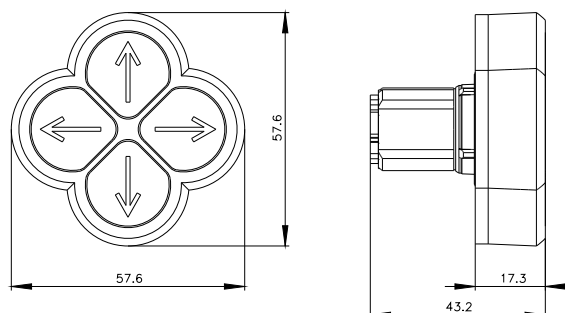
<http://support.automation.siemens.com/WW/CAXorder/default.aspx?lang=en&mlfb=3SU1000-3FB11-0AU0>

Service&Support (Manuals, Certificates, Characteristics, FAQs,...)

<https://support.industry.siemens.com/cs/ww/en/ps/3SU1000-3FB11-0AU0>

Image database (product images, 2D dimension drawings, 3D models, device circuit diagrams, EPLAN macros, ...)

http://www.automation.siemens.com/bilddb/cax_de.aspx?mlfb=3SU1000-3FB11-0AU0&lang=en



last modified:

10/6/2021 