



Selector switch, illuminable, 22 mm, round, plastic, yellow, selector switch, short, 3 switch positions I>O<II, momentary contact on the left, latching on the right, actuating angle 2x45°, 10:30h/12h/13:30h

<b>product brand name</b>	SIRIUS ACT
<b>product designation</b>	Selector switches
<b>design of the product</b>	Actuating/signaling element
<b>product type designation</b>	3SU1
<b>product line</b>	Plastic, black, 22 mm
<b>Enclosure</b>	
<b>number of command points</b>	1
<b>Actuator</b>	
<b>design of the actuating element</b>	Selector, short
<b>principle of operation of the actuating element</b>	momentary contact/latching, 2x45° (10:30 h/12 h/13:30 h), return from left, right latching
<b>product extension optional</b>	
• light source	Yes
• contact module	Yes
<b>color of the actuating element</b>	yellow
<b>material of the actuating element</b>	plastic
<b>shape of the actuating element</b>	Handle
<b>outer diameter of the actuating element</b>	32.3 mm
<b>number of switching positions</b>	3
<b>actuating angle</b>	
• clockwise	45°
• anticlockwise	45°
<b>Front ring</b>	
<b>product component front ring</b>	Yes
<b>design of the front ring</b>	standard
<b>material of the front ring</b>	plastic
<b>color of the front ring</b>	black
<b>General technical data</b>	
<b>protection class IP</b>	IP66, IP67, IP69(IP69K)
<b>degree of protection NEMA rating</b>	1, 2, 3, 3R, 4, 4X, 12, 13
<b>shock resistance</b>	
• acc. to IEC 60068-2-27	Sinusoidal half-wave 50g / 11 ms
• for railway applications acc. to DIN EN 61373	Category 1, Class B
<b>vibration resistance</b>	
• acc. to IEC 60068-2-6	10 ... 500 Hz: 5g
• for railway applications acc. to DIN EN 61373	Category 1, Class B
<b>operating frequency maximum</b>	1 800 1/h
<b>mechanical service life (switching cycles) typical</b>	1 000 000
<b>reference code acc. to IEC 81346-2</b>	S

Substance Prohibitance (Date)	01.10.2014
<b>Safety related data</b>	
B10 value with high demand rate acc. to SN 31920	300 000
<b>proportion of dangerous failures</b>	
• with low demand rate acc. to SN 31920	20 %
• with high demand rate acc. to SN 31920	20 %
failure rate [FIT] with low demand rate acc. to SN 31920	100 FIT
<b>T1 value for proof test interval or service life acc. to IEC 61508</b>	20 y

<b>Ambient conditions</b>	
<b>ambient temperature</b>	
• during operation	-25 ... +70 °C
• during storage	-40 ... +80 °C
environmental category during operation acc. to IEC 60721	3M6, 3S2, 3B2, 3C3, 3K6 (with relative air humidity of 10 ... 95 %)

<b>Installation/ mounting/ dimensions</b>	
height	32.3 mm
width	32.3 mm
shape of the installation opening	round
mounting diameter	22.3 mm
positive tolerance of installation diameter	0.4 mm
mounting height	28.8 mm
installation width	32.3 mm
installation depth	25.4 mm

<b>Certificates/ approvals</b>		
General Product Approval	Declaration of Conformity	Test Certificates



[UK Declaration of Conformity](#)

[Type Test Certificates/Test Report](#)

Test Certificates	Marine / Shipping
-------------------	-------------------

[Special Test Certificate](#)



other
-------

[Confirmation](#)

<b>Further information</b>
----------------------------

Information- and Downloadcenter (Catalogs, Brochures,...)

<https://www.siemens.com/ic10>

Industry Mall (Online ordering system)

<https://mall.industry.siemens.com/mall/en/en/Catalog/product?mlfb=3SU1002-2BP30-0AA0>

Cax online generator

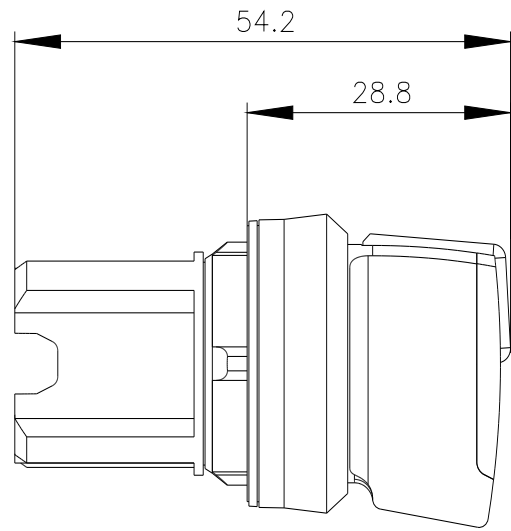
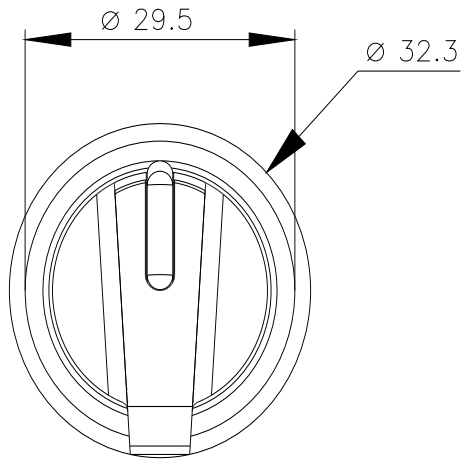
<http://support.automation.siemens.com/WW/CAXorder/default.aspx?lang=en&mlfb=3SU1002-2BP30-0AA0>

Service&Support (Manuals, Certificates, Characteristics, FAQs,...)

<https://support.industry.siemens.com/cs/ww/en/ps/3SU1002-2BP30-0AA0>

Image database (product images, 2D dimension drawings, 3D models, device circuit diagrams, EPLAN macros, ...)

[http://www.automation.siemens.com/bilddb/cax\\_de.aspx?mlfb=3SU1002-2BP30-0AA0&lang=en](http://www.automation.siemens.com/bilddb/cax_de.aspx?mlfb=3SU1002-2BP30-0AA0&lang=en)



last modified:

10/6/2021 