



Current measuring module, Set current 10...100 A Overall width 55 mm, straight-through transformer

product brand name	SIRIUS
product designation	Current measuring module
General technical data	
product function	
<ul style="list-style-type: none"> • current measurement • voltage measurement • active power measurement • power measurement • frequency measurement 	<ul style="list-style-type: none"> Yes No No No No
product component	
<ul style="list-style-type: none"> • input for thermistor connection 	No
insulation voltage	
<ul style="list-style-type: none"> • with degree of pollution 3 at AC rated value • for wires of main circuit acc. to IEC 60947-1 rated value 	<ul style="list-style-type: none"> 690 V 6 kV
surge voltage resistance rated value	6 000 V
protection class IP	IP20
shock resistance acc. to IEC 60068-2-27	15g / 11 ms
vibration resistance	1-6 Hz / 15 mm; 6-500 Hz / 2 g
reference code acc. to IEC 81346-2	F
Substance Prohibitance (Date)	28.05.2009 00:00:00
certificate of suitability	
<ul style="list-style-type: none"> • according to ATEX directive 2014/34/EU 	BVS 06 ATEX F001
explosion device group and category according to ATEX directive 2014/34/EU	II (2) G, II (2) D, I (M2)
Electromagnetic compatibility	
EMC emitted interference acc. to IEC 60947-1	class A
EMC immunity acc. to IEC 60947-1	corresponds to degree of severity 3
conducted interference	
<ul style="list-style-type: none"> • due to burst acc. to IEC 61000-4-4 • due to conductor-earth surge acc. to IEC 61000-4-5 • due to conductor-conductor surge acc. to IEC 61000-4-5 	<ul style="list-style-type: none"> 2 kV 2 kV 1 kV
field-based interference acc. to IEC 61000-4-3	10 V/m
Inputs/ Outputs	
number of outputs as contact-affected switching element	0
Protective and monitoring functions	
product function	
<ul style="list-style-type: none"> • power factor monitoring 	No

<ul style="list-style-type: none"> • ground-fault monitoring • voltage detection 	No		
product function			
<ul style="list-style-type: none"> • current detection • overload protection 	Yes		
	Yes		
Installation/ mounting/ dimensions			
mounting position	any		
fastening method	screw and snap-on mounting		
height	94 mm		
width	55 mm		
depth	72 mm		
required spacing			
<ul style="list-style-type: none"> • top • bottom • left • right 	30 mm		
	30 mm		
	0 mm		
	0 mm		
diameter of inlet opening	14 mm		
diameter of inlet opening for current measurement	14 mm		
Ambient conditions			
installation altitude at height above sea level			
<ul style="list-style-type: none"> • 1 maximum • 2 maximum • 3 maximum 	2 000 m		
	3 000 m; max. +50 °C (no protective separation)		
	4 000 m; max. +40 °C (no protective separation)		
ambient temperature			
<ul style="list-style-type: none"> • during operation • during storage • during transport 	-25 ... +60 °C		
	-40 ... +80 °C		
	-40 ... +80 °C		
environmental category			
<ul style="list-style-type: none"> • during operation acc. to IEC 60721 • during storage acc. to IEC 60721 • during transport acc. to IEC 60721 	3K6 (no formation of ice, no condensation, relative humidity 10 ... 95%), 3C3 (no salt mist), 3S2 (sand must not get into the devices), 3M6		
	1K6 (no condensation, relative humidity 10 ... 95%), 1C2 (no salt mist), 1S2 (sand must not get into the devices), 1M4		
	2K2, 2C1, 2S1, 2M2		
relative humidity during operation	5 ... 95 %		
Short-circuit protection			
product function short circuit protection	No		
Galvanic isolation			
(electrically) protective separation acc. to IEC 60947-1	All circuits with protective separation (double creepage paths and clearances), the information in the "Protective Separation" test report, No. A0258, must be observed (link see further information)		
Main circuit			
number of poles for main current circuit	3		
adjustable current response value current of the current-dependent overload release	10 ... 100 A		
operating voltage			
<ul style="list-style-type: none"> • at AC 			
— at 50 Hz rated value	110 ... 690 V		
— at 60 Hz rated value	110 ... 690 V		
operating frequency rated value	50 ... 60 Hz		
Control circuit/ Control			
type of voltage	AC		
Certificates/ approvals			
General Product Approval		EMC	For use in hazardous locations



For use in hazardous locations	Declaration of Conformity	Test Certificates	Marine / Shipping
--------------------------------	---------------------------	-------------------	-------------------



[Special Test Certificate](#)

[Type Test Certificates/Test Report](#)



Marine / Shipping	other
-------------------	-------



[Confirmation](#)



[PROFINET-Certification](#)

Further information

Information- and Downloadcenter (Catalogs, Brochures,...)

<https://www.siemens.com/ic10>

Industry Mall (Online ordering system)

<https://mall.industry.siemens.com/mall/en/en/Catalog/product?mlfb=3UF7102-1AA00-0>

Cax online generator

<http://support.automation.siemens.com/WW/CAXorder/default.aspx?lang=en&mlfb=3UF7102-1AA00-0>

Service&Support (Manuals, Certificates, Characteristics, FAQs,...)

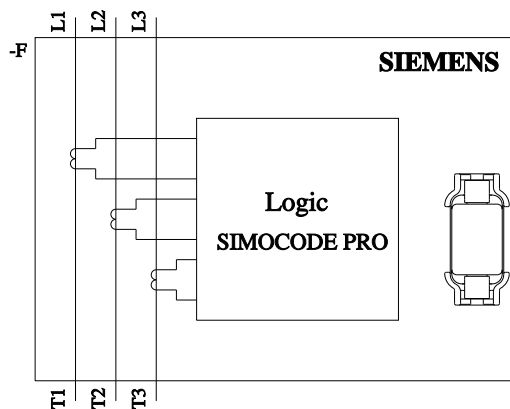
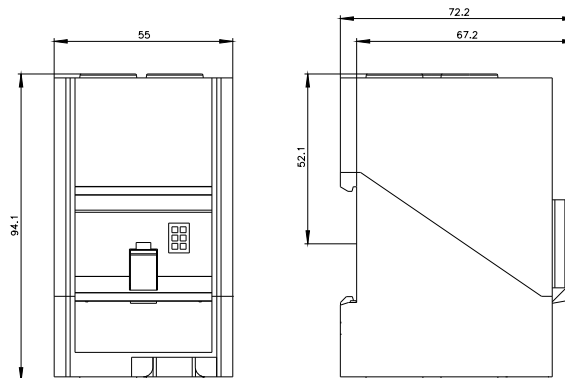
<https://support.industry.siemens.com/cs/ww/en/ps/3UF7102-1AA00-0>

Image database (product images, 2D dimension drawings, 3D models, device circuit diagrams, EPLAN macros, ...)

http://www.automation.siemens.com/bilddb/cax_de.aspx?mlfb=3UF7102-1AA00-0&lang=en

Test report No. A0258, protective separation

<https://support.industry.siemens.com/cs/ww/en/view/109748152>



last modified:

1/12/2021