

Current measuring module, Set current 20...200 A overall width 120 mm, busbar connection



product brand name	SIRIUS
product designation	Current measuring module
General technical data	
product function	
<ul style="list-style-type: none"> • current measurement • voltage measurement • active power measurement • power measurement • frequency measurement 	<p>Yes</p> <p>No</p> <p>No</p> <p>No</p> <p>No</p>
product component	
<ul style="list-style-type: none"> • input for thermistor connection 	No
insulation voltage	
<ul style="list-style-type: none"> • with degree of pollution 3 at AC rated value • for wires of main circuit acc. to IEC 60947-1 rated value 	<p>690 V</p> <p>8 kV</p>
surge voltage resistance rated value	8 000 V
protection class IP	IP00
shock resistance acc. to IEC 60068-2-27	15g / 11 ms
vibration resistance	1-6 Hz / 15 mm; 6-500 Hz / 2 g
reference code acc. to IEC 81346-2	F
Substance Prohibitance (Date)	01.07.2006 00:00:00
certificate of suitability	
<ul style="list-style-type: none"> • according to ATEX directive 2014/34/EU 	BVS 06 ATEX F001
explosion device group and category according to ATEX directive 2014/34/EU	II (2) G, II (2) D, I (M2)
Electromagnetic compatibility	
EMC emitted interference acc. to IEC 60947-1	class A
EMC immunity acc. to IEC 60947-1	corresponds to degree of severity 3
conducted interference	
<ul style="list-style-type: none"> • due to burst acc. to IEC 61000-4-4 • due to conductor-earth surge acc. to IEC 61000-4-5 • due to conductor-conductor surge acc. to IEC 61000-4-5 	<p>2 kV</p> <p>2 kV</p> <p>1 kV</p>
field-based interference acc. to IEC 61000-4-3	10 V/m
Inputs/ Outputs	
number of outputs as contact-affected switching element	0
Protective and monitoring functions	
product function	
<ul style="list-style-type: none"> • power factor monitoring 	No

<ul style="list-style-type: none"> • ground-fault monitoring • voltage detection 	No	
product function		
<ul style="list-style-type: none"> • current detection • overload protection 	Yes	
	Yes	
Installation/ mounting/ dimensions		
mounting position	any	
fastening method	direct mounting / stand-alone installation	
height	119 mm	
width	120 mm	
depth	145 mm	
required spacing		
<ul style="list-style-type: none"> • top • bottom • left • right 	30 mm	
	30 mm	
	0 mm	
	0 mm	
Connections/ Terminals		
type of connectable conductor cross-sections at the measurement inputs for current		
<ul style="list-style-type: none"> • solid with core end processing • stranded with core end processing • at AWG cables 	16 mm ² ... 95 mm ² 25 mm ² ... 120 mm ² 6 kcmil ... 300 kcmil	
design of the thread of the connection screw at the measurement inputs for current	M8 x 25	
Ambient conditions		
installation altitude at height above sea level		
<ul style="list-style-type: none"> • 1 maximum • 2 maximum • 3 maximum 	2 000 m 3 000 m; max. +50 °C (no protective separation) 4 000 m; max. +40 °C (no protective separation)	
ambient temperature		
<ul style="list-style-type: none"> • during operation • during storage • during transport 	-25 ... +60 °C -40 ... +80 °C -40 ... +80 °C	
environmental category		
<ul style="list-style-type: none"> • during operation acc. to IEC 60721 • during storage acc. to IEC 60721 • during transport acc. to IEC 60721 	3K6 (no formation of ice, no condensation, relative humidity 10 ... 95%), 3C3 (no salt mist), 3S2 (sand must not get into the devices), 3M6 1K6 (no condensation, relative humidity 10 ... 95%), 1C2 (no salt mist), 1S2 (sand must not get into the devices), 1M4 2K2, 2C1, 2S1, 2M2	
relative humidity during operation	5 ... 95 %	
Short-circuit protection		
product function short circuit protection	No	
Galvanic isolation		
(electrically) protective separation acc. to IEC 60947-1	All circuits with protective separation (double creepage paths and clearances), the information in the "Protective Separation" test report, No. A0258, must be observed (link see further information)	
Main circuit		
number of poles for main current circuit	3	
adjustable current response value current of the current-dependent overload release	20 ... 200 A	
operating voltage		
<ul style="list-style-type: none"> • at AC <ul style="list-style-type: none"> — at 50 Hz rated value — at 60 Hz rated value 	110 ... 690 V 110 ... 690 V	
operating frequency rated value	50 ... 60 Hz	
Control circuit/ Control		
type of voltage	AC	
Certificates/ approvals		
General Product Approval	EMC	For use in hazardous locations



For use in hazardous locations

Declaration of Conformity

Test Certificates

Marine / Shipping



IECEX



ATEX



EG-Konf.

[Type Test Certificates/Test Report](#)

[Special Test Certificate](#)



ABS

Marine / Shipping

other



LRS



RMRS



DNV-GL

[Confirmation](#)



Profibus

[PROFINET-Certification](#)

Further information

Information- and Downloadcenter (Catalogs, Brochures,...)

<https://www.siemens.com/ic10>

Industry Mall (Online ordering system)

<https://mall.industry.siemens.com/mall/en/en/Catalog/product?mlfb=3UF7103-1BA00-0>

Cax online generator

<http://support.automation.siemens.com/WW/CAXorder/default.aspx?lang=en&mlfb=3UF7103-1BA00-0>

Service&Support (Manuals, Certificates, Characteristics, FAQs,...)

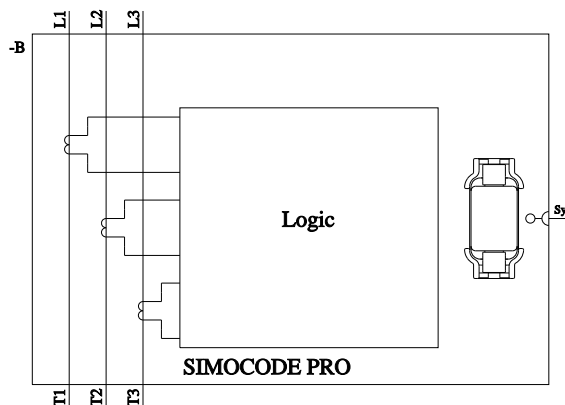
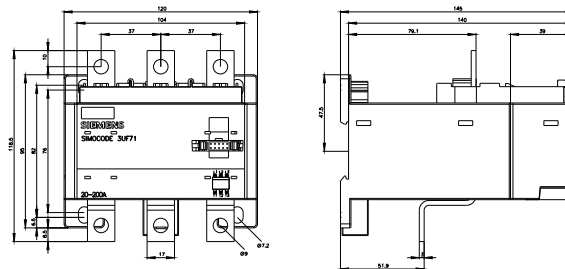
<https://support.industry.siemens.com/cs/ww/en/ps/3UF7103-1BA00-0>

Image database (product images, 2D dimension drawings, 3D models, device circuit diagrams, EPLAN macros, ...)

http://www.automation.siemens.com/bilddb/cax_de.aspx?mlfb=3UF7103-1BA00-0&lang=en

Test report No. A0258, protective separation

<https://support.industry.siemens.com/cs/ww/en/view/109748152>



last modified:

1/8/2021 