

Current measuring module, Set current 63...630 A Overall width 145 mm, busbar connection



<b>product brand name</b>	SIRIUS
<b>product designation</b>	Current measuring module
<b>General technical data</b>	
<b>product function</b>	
<ul style="list-style-type: none"> <li>• current measurement</li> <li>• voltage measurement</li> <li>• active power measurement</li> <li>• power measurement</li> <li>• frequency measurement</li> </ul>	<p>Yes</p> <p>No</p> <p>No</p> <p>No</p> <p>No</p>
<b>product component</b>	
<ul style="list-style-type: none"> <li>• input for thermistor connection</li> </ul>	No
<b>insulation voltage</b>	
<ul style="list-style-type: none"> <li>• with degree of pollution 3 at AC rated value</li> <li>• for wires of main circuit acc. to IEC 60947-1 rated value</li> </ul>	<p>690 V</p> <p>8 kV</p>
<b>surge voltage resistance rated value</b>	8 000 V
<b>protection class IP</b>	IP00
shock resistance acc. to IEC 60068-2-27	15g / 11 ms
<b>vibration resistance</b>	1-6 Hz / 15 mm; 6-500 Hz / 2 g
<b>reference code acc. to IEC 81346-2</b>	F
<b>Substance Prohibitance (Date)</b>	01.07.2006 00:00:00
<b>certificate of suitability</b>	
<ul style="list-style-type: none"> <li>• according to ATEX directive 2014/34/EU</li> </ul>	BVS 06 ATEX F001
explosion device group and category according to ATEX directive 2014/34/EU	II (2) G, II (2) D, I (M2)
<b>Electromagnetic compatibility</b>	
EMC emitted interference acc. to IEC 60947-1	class A
EMC immunity acc. to IEC 60947-1	corresponds to degree of severity 3
<b>conducted interference</b>	
<ul style="list-style-type: none"> <li>• due to burst acc. to IEC 61000-4-4</li> <li>• due to conductor-earth surge acc. to IEC 61000-4-5</li> <li>• due to conductor-conductor surge acc. to IEC 61000-4-5</li> </ul>	<p>2 kV</p> <p>2 kV</p> <p>1 kV</p>
<b>field-based interference acc. to IEC 61000-4-3</b>	10 V/m
<b>Inputs/ Outputs</b>	
<b>number of outputs as contact-affected switching element</b>	0
<b>Protective and monitoring functions</b>	
<b>product function</b>	
<ul style="list-style-type: none"> <li>• power factor monitoring</li> </ul>	No

<ul style="list-style-type: none"> <li>• ground-fault monitoring</li> <li>• voltage detection</li> </ul>	No	
<b>product function</b>		
<ul style="list-style-type: none"> <li>• current detection</li> <li>• overload protection</li> </ul>	Yes	
	Yes	
<b>Installation/ mounting/ dimensions</b>		
<b>mounting position</b>	any	
<b>fastening method</b>	direct mounting / stand-alone installation	
<b>height</b>	147 mm	
<b>width</b>	145 mm	
<b>depth</b>	148 mm	
<b>required spacing</b>		
<ul style="list-style-type: none"> <li>• top</li> <li>• bottom</li> <li>• left</li> <li>• right</li> </ul>	30 mm	
	30 mm	
	0 mm	
	0 mm	
<b>Connections/ Terminals</b>		
<b>type of connectable conductor cross-sections at the measurement inputs for current</b>		
<ul style="list-style-type: none"> <li>• solid with core end processing</li> <li>• stranded with core end processing</li> <li>• at AWG cables</li> </ul>	50 mm <sup>2</sup> ... 240 mm <sup>2</sup>	
	70 mm <sup>2</sup> ... 240 mm <sup>2</sup>	
	1/0 kcmil ... 500 kcmil	
<b>design of the thread of the connection screw at the measurement inputs for current</b>	M8 x 25	
<b>Ambient conditions</b>		
<b>installation altitude at height above sea level</b>		
<ul style="list-style-type: none"> <li>• 1 maximum</li> <li>• 2 maximum</li> <li>• 3 maximum</li> </ul>	2 000 m	
	3 000 m; max. +50 °C (no protective separation)	
	4 000 m; max. +40 °C (no protective separation)	
<b>ambient temperature</b>		
<ul style="list-style-type: none"> <li>• during operation</li> <li>• during storage</li> <li>• during transport</li> </ul>	-25 ... +60 °C	
	-40 ... +80 °C	
	-40 ... +80 °C	
<b>environmental category</b>		
<ul style="list-style-type: none"> <li>• during operation acc. to IEC 60721</li> <li>• during storage acc. to IEC 60721</li> <li>• during transport acc. to IEC 60721</li> </ul>	3K6 (no formation of ice, no condensation, relative humidity 10 ... 95%), 3C3 (no salt mist), 3S2 (sand must not get into the devices), 3M6	
	1K6 (no condensation, relative humidity 10 ... 95%), 1C2 (no salt mist), 1S2 (sand must not get into the devices), 1M4	
	2K2, 2C1, 2S1, 2M2	
relative humidity during operation	5 ... 95 %	
<b>Short-circuit protection</b>		
<b>product function short circuit protection</b>	No	
<b>Galvanic isolation</b>		
<b>(electrically) protective separation acc. to IEC 60947-1</b>	All circuits with protective separation (double creepage paths and clearances), the information in the "Protective Separation" test report, No. A0258, must be observed (link see further information)	
<b>Main circuit</b>		
<b>number of poles for main current circuit</b>	3	
<b>adjustable current response value current of the current-dependent overload release</b>	63 ... 630 A	
<b>operating voltage</b>		
<ul style="list-style-type: none"> <li>• at AC</li> </ul>		
— at 50 Hz rated value	110 ... 690 V	
— at 60 Hz rated value	110 ... 690 V	
<b>operating frequency rated value</b>	50 ... 60 Hz	
<b>Control circuit/ Control</b>		
<b>type of voltage</b>	AC	
<b>Certificates/ approvals</b>		
General Product Approval	EMC	For use in hazardous locations



For use in hazardous locations	Declaration of Conformity	Test Certificates	Marine / Shipping
--------------------------------	---------------------------	-------------------	-------------------



[Special Test Certificate](#)

[Type Test Certificates/Test Report](#)



Marine / Shipping	other
-------------------	-------



[Confirmation](#)

[PROFINET-Certification](#)



### Further information

Information- and Downloadcenter (Catalogs, Brochures,...)

<https://www.siemens.com/ic10>

Industry Mall (Online ordering system)

<https://mall.industry.siemens.com/mall/en/en/Catalog/product?mlfb=3UF7104-1BA00-0>

Cax online generator

<http://support.automation.siemens.com/WW/CAXorder/default.aspx?lang=en&mlfb=3UF7104-1BA00-0>

Service&Support (Manuals, Certificates, Characteristics, FAQs,...)

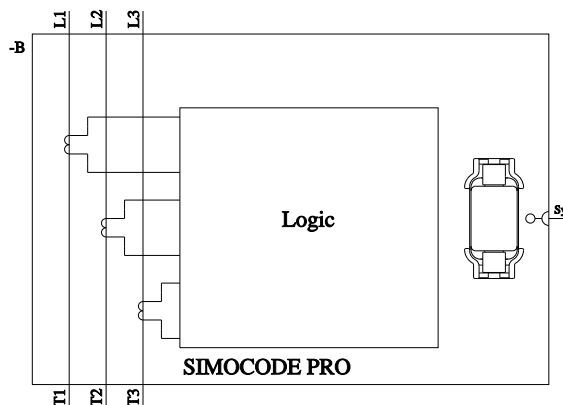
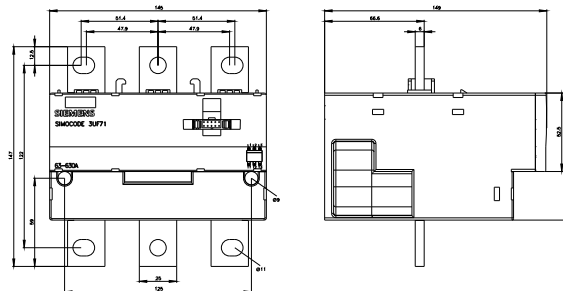
<https://support.industry.siemens.com/cs/ww/en/ps/3UF7104-1BA00-0>

Image database (product images, 2D dimension drawings, 3D models, device circuit diagrams, EPLAN macros, ...)

[http://www.automation.siemens.com/bilddb/cax\\_de.aspx?mlfb=3UF7104-1BA00-0&lang=en](http://www.automation.siemens.com/bilddb/cax_de.aspx?mlfb=3UF7104-1BA00-0&lang=en)

Test report No. A0258, protective separation

<https://support.industry.siemens.com/cs/ww/en/view/109748152>



last modified:

1/18/2021 