



Decoupling module for installation upstream of the current/voltage measuring module at the system interface for application in ungrounded supply systems

product brand name	SIRIUS
product designation	Decoupling module
General technical data	
product component	No
<ul style="list-style-type: none"> input for thermistor connection 	
insulation voltage	6 kV
<ul style="list-style-type: none"> for wires of main circuit acc. to IEC 60947-1 rated value 	
surge voltage resistance rated value	4 000 V
protection class IP	IP20
vibration resistance	1-6 Hz / 15 mm; 6-500 Hz / 2 g
reference code acc. to IEC 81346-2	Q
Substance Prohibitance (Date)	01.05.2012 00:00:00
Electromagnetic compatibility	
EMC emitted interference acc. to IEC 60947-1	class A
EMC immunity acc. to IEC 60947-1	corresponds to degree of severity 3
conducted interference	
<ul style="list-style-type: none"> due to burst acc. to IEC 61000-4-4 	1 kV
<ul style="list-style-type: none"> due to conductor-earth surge acc. to IEC 61000-4-5 	2 kV
<ul style="list-style-type: none"> due to conductor-conductor surge acc. to IEC 61000-4-5 	1 kV
field-based interference acc. to IEC 61000-4-3	10 V/m
Inputs/ Outputs	
number of outputs as contact-affected switching element	0
Protective and monitoring functions	
product function	
<ul style="list-style-type: none"> voltage detection 	No
product function	
<ul style="list-style-type: none"> current detection 	No
Installation/ mounting/ dimensions	
mounting position	any
fastening method	screw and snap-on mounting
height	92 mm
width	22.5 mm
depth	124 mm
Ambient conditions	
installation altitude at height above sea level	
<ul style="list-style-type: none"> 3 maximum 	4 000 m
ambient temperature	

<ul style="list-style-type: none"> during operation during storage during transport 	-25 ... +60 °C -40 ... +80 °C -40 ... +80 °C
environmental category <ul style="list-style-type: none"> during operation acc. to IEC 60721 during storage acc. to IEC 60721 during transport acc. to IEC 60721 	3K6 (no formation of ice, no condensation, relative humidity 10 ... 95%), 3C3 (no salt mist), 3S2 (sand must not get into the devices), 3M6 1K6 (no condensation, relative humidity 10 ... 95%), 1C2 (no salt mist), 1S2 (sand must not get into the devices), 1M4 2K2, 2C1, 2S1, 2M2
relative humidity during operation	5 ... 95 %

Certificates/ approvals

General Product Approval	EMC	For use in hazardous locations	Declaration of Conformity	Test Certificates
--------------------------	-----	--------------------------------	---------------------------	-------------------



[Type Test Certificates/Test Report](#)

Marine / Shipping **other**



[Confirmation](#)

[PROFINET-Certification](#)



Further information

Information- and Downloadcenter (Catalogs, Brochures,...)

<https://www.siemens.com/ic10>

Industry Mall (Online ordering system)

<https://mall.industry.siemens.com/mall/en/en/Catalog/product?mlfb=3UF7150-1AA00-0>

Cax online generator

<http://support.automation.siemens.com/WWW/CAXorder/default.aspx?lang=en&mlfb=3UF7150-1AA00-0>

Service&Support (Manuals, Certificates, Characteristics, FAQs,...)

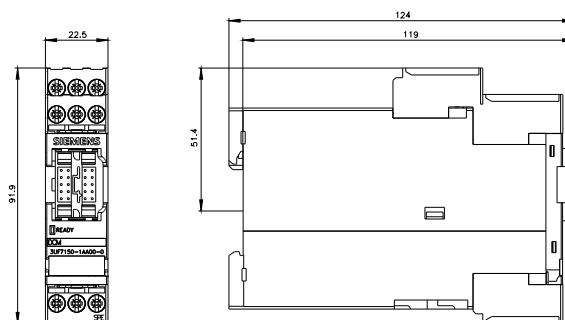
<https://support.industry.siemens.com/cs/ww/en/ps/3UF7150-1AA00-0>

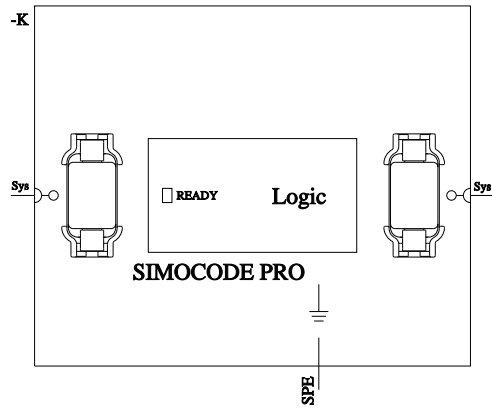
Image database (product images, 2D dimension drawings, 3D models, device circuit diagrams, EPLAN macros, ...)

http://www.automation.siemens.com/bilddb/cax_de.aspx?mlfb=3UF7150-1AA00-0&lang=en

Test report No. A0258, protective separation

<https://support.industry.siemens.com/cs/ww/en/view/109748152>





last modified:

2/12/2021 