



Basic unit SIMOCODE pro V PB PROFIBUS DP interface 12 Mbit/s, RS 485, 4I/3O freely parameterizable, Us: 24 V DC, input for thermistor connection Monostable relay outputs, expandable by extension modules

product brand name	SIRIUS
product designation	Motor management system
design of the product	basic unit 2
product type designation	SIMOCODE pro V PB
General technical data	
product function	
<ul style="list-style-type: none"> • bus communication • data acquisition function • diagnostics function • password protection • test function • maintenance function 	<ul style="list-style-type: none"> Yes Yes Yes Yes Yes Yes
product component	
<ul style="list-style-type: none"> • input for thermistor connection • digital input • input for analog temperature sensors • input for ground fault detection • relay output 	<ul style="list-style-type: none"> Yes Yes No No Yes
product extension	
<ul style="list-style-type: none"> • temperature monitoring module • current measuring module • current/voltage measuring module • fail-safe digital I/O module • ground-fault monitoring module • control unit with display • control unit • analog I/O module 	<ul style="list-style-type: none"> Yes Yes Yes Yes Yes Yes Yes Yes
consumed active power	2.6 W
insulation voltage with degree of pollution 3 at AC rated value	300 V
surge voltage resistance rated value	4 000 V
protection class IP	IP20
shock resistance	
<ul style="list-style-type: none"> • acc. to IEC 60068-2-27 	15g / 11 ms
<ul style="list-style-type: none"> • vibration resistance 	1-6 Hz / 15 mm; 6-500 Hz / 2 g
switching capacity current of the NO contacts of the relay outputs at AC-15	
<ul style="list-style-type: none"> • at 24 V • at 120 V • at 230 V 	<ul style="list-style-type: none"> 6 A 6 A 3 A

switching capacity current of the NO contacts of the relay outputs at DC-13	
<ul style="list-style-type: none"> • at 24 V • at 60 V • at 125 V 	<p>2 A</p> <p>0.55 A</p> <p>0.25 A</p>
mechanical service life (switching cycles) typical	10 000 000
electrical endurance (switching cycles) typical	100 000
buffering time in the event of power failure	0.05 s
reference code acc. to IEC 81346-2	F
continuous current of the NO contacts of the relay outputs	
<ul style="list-style-type: none"> • at 50 °C • at 60 °C 	<p>6 A</p> <p>5 A</p>
type of input characteristic	Type 1 in accordance with EN 61131-2
Substance Prohibitance (Date)	01.05.2012 00:00:00
certificate of suitability	
<ul style="list-style-type: none"> • IECEx • according to ATEX directive 2014/34/EU 	<p>Yes; IECEx PTB 18.0004X</p> <p>BVS 06 ATEX F001, PTB 18 ATEX 5003 X</p>
explosion device group and category according to ATEX directive 2014/34/EU	II (2) G, II (2) D, I (M2) / I (1G/M2), II (1/2) G, II (1G/2D)
Electromagnetic compatibility	
EMC emitted interference acc. to IEC 60947-1	class A
EMC immunity acc. to IEC 60947-1	corresponds to degree of severity 3
conducted interference	
<ul style="list-style-type: none"> • due to burst acc. to IEC 61000-4-4 • due to conductor-earth surge acc. to IEC 61000-4-5 • due to conductor-conductor surge acc. to IEC 61000-4-5 • due to high-frequency radiation acc. to IEC 61000-4-6 	<p>2 kV (power ports) / 1 kV (signal ports)</p> <p>2 kV</p> <p>1 kV</p> <p>10 V</p>
field-based interference acc. to IEC 61000-4-3	10 V/m
electrostatic discharge acc. to IEC 61000-4-2	6 kV contact discharge / 8 kV air discharge
conducted HF interference emissions acc. to CISPR11	corresponds to degree of severity A
field-bound HF interference emission acc. to CISPR11	corresponds to degree of severity A
Inputs/ Outputs	
product function	
<ul style="list-style-type: none"> • parameterizable inputs • parameterizable outputs 	<p>Yes</p> <p>Yes</p>
number of inputs	4
<ul style="list-style-type: none"> • for thermistor connection 	1
number of digital inputs with a common reference potential	4
digital input version type 1 acc. to IEC 61131	Yes
input voltage at digital input at DC rated value	24 V
number of outputs	3
number of semiconductor outputs	0
number of outputs as contact-affected switching element	3
switching behavior	monostable
type of relay outputs	Monostable
wire length for digital signals maximum	300 m
wire length for thermistor connection	
<ul style="list-style-type: none"> • with conductor cross-section = 0.5 mm² maximum • with conductor cross-section = 1.5 mm² maximum • with conductor cross-section = 2.5 mm² maximum 	<p>50 m</p> <p>150 m</p> <p>250 m</p>
Protective and monitoring functions	
product function	
<ul style="list-style-type: none"> • asymmetry detection • blocking current evaluation • power factor monitoring • ground fault detection • phase failure detection • phase sequence recognition 	<p>Yes</p> <p>Yes</p> <p>Yes</p> <p>Yes</p> <p>Yes</p> <p>Yes</p>

• voltage detection	Yes
• monitoring of number of start operations	Yes
• overvoltage detection	Yes
• overcurrent detection 1 phase	Yes
• undervoltage detection	Yes
• undercurrent detection 1 phase	Yes
• active power monitoring	Yes
product function	
• current detection	Yes
• overload protection	Yes
• evaluation of thermistor motor protection	Yes
total cold resistance number of sensors in series maximum	1.5 k Ω
response value of thermoresistor	3 400 ... 3 800 Ω
• of the short-circuit control	9 Ω
release value of thermoresistor	1 500 ... 1 650 Ω

Motor control functions

product function	
• parameterizable overload relay	Yes
• circuit breaker control	Yes
• direct start	Yes
• reverse starting	Yes
• star-delta circuit	Yes
• star-delta reversing circuit	Yes
• Dahlander circuit	Yes
• Dahlander reversing circuit	Yes
• pole-changing switch circuit	Yes
• pole-changing switch reversing circuit	Yes
• slide control	Yes
• valve control	Yes

Communication/ Protocol

• protocol is supported PROFIBUS DP protocol	Yes
• protocol is supported PROFINET IO protocol	No
• protocol is supported PROFI-safe protocol	Yes
• protocol is supported Modbus RTU	No
• protocol is supported EtherNet/IP	No
• protocol is supported OPC UA Server	No
• protocol is supported LLDP	No
• protocol is supported Address Resolution Protocol (ARP)	No
• protocol is supported SNMP	No
• protocol is supported HTTPS	No
• protocol is supported NTP	No
• protocol is supported Media Redundancy Protocol (MRP)	No
• product function is supported Device Level Ring (DLR)	No
number of interfaces	
• acc. to PROFINET	0
• acc. to PROFIBUS	1
• according to Ethernet/IP	0
product function	
• web server	No
• shared device	No
• at the Ethernet interface Autocrossover	No
• at the Ethernet interface Autonegotiation	No
• at the Ethernet interface Autosensing	No
• is supported PROFINET system redundancy	No
• supports PROFIenergy measured values	No
• supports PROFIenergy shutdown	No
transfer rate maximum	12 Mbit/s

identification & maintenance function	
<ul style="list-style-type: none"> • I&M0 - device-specific information • I&M1 – higher level designation/location designation • I&M2 - installation date • I&M3 - comment 	<p>Yes</p> <p>Yes</p> <p>Yes</p> <p>Yes</p>
type of electrical connection of the communication interface	9-pin SUB-D socket (12 Mbit) / screw terminal (1.5 Mbit)
Installation/ mounting/ dimensions	
mounting position	any
fastening method	screw and snap-on mounting
height	111 mm
width	45 mm
depth	124 mm
required spacing	
<ul style="list-style-type: none"> • top • bottom • left • right 	<p>40 mm</p> <p>40 mm</p> <p>0 mm</p> <p>0 mm</p>
Connections/ Terminals	
product component removable terminal for auxiliary and control circuit	Yes
type of connectable conductor cross-sections	
<ul style="list-style-type: none"> • solid • finely stranded with core end processing • at AWG cables solid • at AWG cables stranded 	<p>1x (0.5 ... 4.0 mm²), 2x (0.5 ... 2.5 mm²)</p> <p>1x (0.5 ... 2.5 mm²), 2x (0.5 ... 1.5 mm²)</p> <p>1x (20 ... 12), 2x (20 ... 14)</p> <p>1x (20 ... 14), 2x (20 ... 16)</p>
tightening torque with screw-type terminals	0.8 ... 1.2 N·m
tightening torque [lbf·in] with screw-type terminals	7 ... 10.3 lbf·in
type of connectable conductor cross-sections for PROFIBUS wire	2x 0.34 mm ² , AWG 22
Ambient conditions	
installation altitude at height above sea level	
<ul style="list-style-type: none"> • 1 maximum • 2 maximum • 3 maximum 	<p>2 000 m</p> <p>3 000 m; max. +50 °C (no protective separation)</p> <p>4 000 m; max. +40 °C (no protective separation)</p>
ambient temperature	
<ul style="list-style-type: none"> • during operation • during storage • during transport 	<p>-25 ... +60 °C</p> <p>-40 ... +80 °C</p> <p>-40 ... +80 °C</p>
environmental category	
<ul style="list-style-type: none"> • during operation acc. to IEC 60721 • during storage acc. to IEC 60721 • during transport acc. to IEC 60721 	<p>3K6 (no formation of ice, no condensation, relative humidity 10 ... 95%), 3C3 (no salt mist), 3S2 (sand must not get into the devices), 3M6</p> <p>1K6 (no condensation, relative humidity 10 ... 95%), 1C2 (no salt mist), 1S2 (sand must not get into the devices), 1M4</p> <p>2K2, 2C1, 2S1, 2M2</p>
relative humidity	
<ul style="list-style-type: none"> • during operation 	5 ... 95 %
contact rating of auxiliary contacts according to UL	B300 / R300
Short-circuit protection	
design of short-circuit protection per output	Fuse links: gG 6 A, quick-response 10 A (IEC 60947-5-1), miniature circuit-breaker C char.: 1.6 A (IEC 60947-5-1) or 6 A (I _K < 500 A)
Safety related data	
touch protection against electrical shock	finger-safe
Galvanic isolation	
(electrically) protective separation acc. to IEC 60947-1	All circuits with protective separation (double creepage paths and clearances), the information in the "Protective Separation" test report, No. A0258, must be observed (link see further information)
Control circuit/ Control	
product function soft starter control	Yes
type of voltage of the control supply voltage	DC
control supply voltage at DC	

• rated value	24 V
control supply voltage 1 at DC rated value	24 V
operating range factor control supply voltage rated value at DC	
• initial value	0.8
• full-scale value	1.2

Certificates/ approvals

General Product Approval	EMC	For use in hazardous locations
--------------------------	-----	--------------------------------



For use in hazardous locations	Declaration of Conformity	Test Certificates
--------------------------------	---------------------------	-------------------



[Special Test Certificate](#)

[Type Test Certificates/Test Report](#)

Test Certificates	Marine / Shipping	other
-------------------	-------------------	-------

[Special Test Certificate](#)



[Confirmation](#)

other

[PROFINET-Certification](#)



Further information

Information- and Downloadcenter (Catalogs, Brochures,...)

<https://www.siemens.com/ic10>

Industry Mall (Online ordering system)

<https://mall.industry.siemens.com/mall/en/en/Catalog/product?mlfb=3UF7010-1AB00-0>

Cax online generator

<http://support.automation.siemens.com/WW/CAXorder/default.aspx?lang=en&mlfb=3UF7010-1AB00-0>

Service&Support (Manuals, Certificates, Characteristics, FAQs,...)

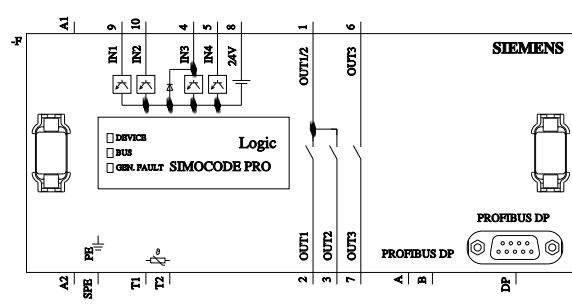
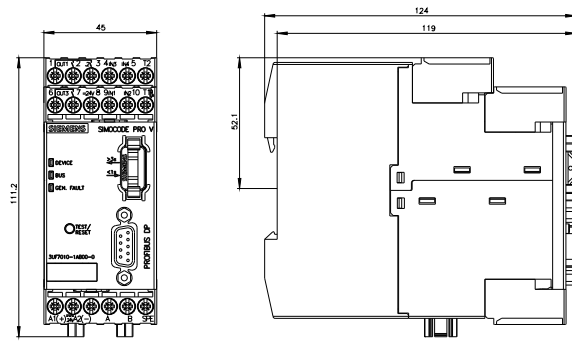
<https://support.industry.siemens.com/cs/ww/en/ps/3UF7010-1AB00-0>

Image database (product images, 2D dimension drawings, 3D models, device circuit diagrams, EPLAN macros, ...)

http://www.automation.siemens.com/bilddb/cax_de.aspx?mlfb=3UF7010-1AB00-0&lang=en

Test report No. A0258, protective separation

<https://support.industry.siemens.com/cs/ww/en/view/109748152>



last modified:

1/8/2021