



Analog module, 2 inputs (passive) and 1 output, for analog signals 0/4...20 mA for SIMOCODE pro V basic unit

product brand name	SIRIUS
product designation	analog modules
General technical data	
product component	
• input for thermistor connection	No
• input for analog temperature sensors	No
• input for ground fault detection	No
surge voltage resistance rated value	4 000 V
protection class IP	IP20
shock resistance acc. to IEC 60068-2-27	15g / 11 ms
vibration resistance acc. to IEC 60068-2-6	1 ... 6 Hz: 15 mm, 6 ... 500 Hz: 2g
reference code acc. to IEC 81346-2	B
Substance Prohibitance (Date)	01.05.2012 00:00:00
Electromagnetic compatibility	
EMC emitted interference acc. to IEC 60947-1	class A
EMC immunity acc. to IEC 60947-1	corresponds to degree of severity 3
conducted interference	
• due to burst acc. to IEC 61000-4-4	1 kV
• due to conductor-earth surge acc. to IEC 61000-4-5	2 kV
• due to conductor-conductor surge acc. to IEC 61000-4-5	1 kV
field-based interference acc. to IEC 61000-4-3	10 V/m
Inputs/ Outputs	
number of inputs	2
number of digital inputs	0
number of analog inputs	2
input current as destruction limit maximum permissible	40 mA
input resistance	50 Ω
A/D resolution at the analog input	12 bit
A/D conversion time at the analog input	150 ms
diagnostics function at the analog input open-circuit detection	Yes
measuring range of current parameterizable	0/4 mA ... 20 mA
relative symmetrical measuring accuracy	1 %
relative symmetrical accuracy of output signal	1 %
number of outputs	1
number of semiconductor outputs	0
number of outputs as contact-affected switching element	0

number of analog outputs	1	
output load at analog output maximum	500 Ω	
D/A conversion time at analog output	25 ms	
A/D resolution at analog output	12 bit	
output voltage	30 V	
type of voltage of the output voltage	DC	
property of the output short-circuit proof	Yes	
value range of output current parameterizable	0/4 mA ... 20 mA	
Installation/ mounting/ dimensions		
mounting position	any	
fastening method	screw and snap-on mounting	
height	92 mm	
width	22.5 mm	
depth	124 mm	
required spacing		
• top	40 mm	
• bottom	40 mm	
• left	0 mm	
• right	0 mm	
Connections/ Terminals		
type of connection technology	2-wire connection	
type of shield		
• at input	shield recommended up to 30 m and/or when exiting control cabinet, shield required from 30 m	
• at output	shield recommended up to 30 m and/or when exiting control cabinet, shield required from 30 m	
type of connectable conductor cross-sections		
• solid	1x (0.5 ... 4.0 mm ²), 2x (0.5 ... 2.5 mm ²)	
• finely stranded with core end processing	1x (0.5 ... 2.5 mm ²), 2x (0.5 ... 1.5 mm ²)	
• at AWG cables solid	1x (20 ... 14), 2x (20 ... 16)	
• at AWG cables stranded	1x (20 ... 12), 2x (20 ... 14)	
tightening torque with screw-type terminals	0.8 ... 1.2 N·m	
tightening torque [lbf·in] with screw-type terminals	7 ... 10.3 lbf·in	
Ambient conditions		
installation altitude at height above sea level		
• 1 maximum	2 000 m	
• 2 maximum	3 000 m; max. +50 °C (no protective separation)	
• 3 maximum	4 000 m; max. +40 °C (no protective separation)	
ambient temperature		
• during operation	-25 ... +60 °C	
• during storage	-40 ... +80 °C	
• during transport	-40 ... +80 °C	
environmental category		
• during operation acc. to IEC 60721	3K6 (no formation of ice, no condensation, relative humidity 10 ... 95%), 3C3 (no salt mist), 3S2 (sand must not get into the devices), 3M6	
• during storage acc. to IEC 60721	1K6 (no condensation, relative humidity 10 ... 95%), 1C2 (no salt mist), 1S2 (sand must not get into the devices), 1M4	
• during transport acc. to IEC 60721	2K2, 2C1, 2S1, 2M2	
relative humidity during operation	5 ... 95 %	
Safety related data		
touch protection against electrical shock	finger-safe	
Galvanic isolation		
galvanic isolation		
• between output and electronics	No	
• between inputs and electronics	No	
Certificates/ approvals		
General Product Approval	EMC	Declaration of Conformity



Test Certificates

Marine / Shipping

other

[Type Test Certificates/Test Report](#)



[Confirmation](#)

[PROFINET-Certification](#)

other



Further information

Information- and Downloadcenter (Catalogs, Brochures,...)

<https://www.siemens.com/ic10>

Industry Mall (Online ordering system)

<https://mall.industry.siemens.com/mall/en/en/Catalog/product?mfb=3UF7400-1AA00-0>

Cax online generator

<http://support.automation.siemens.com/WW/CAXorder/default.aspx?lang=en&mfb=3UF7400-1AA00-0>

Service&Support (Manuals, Certificates, Characteristics, FAQs,...)

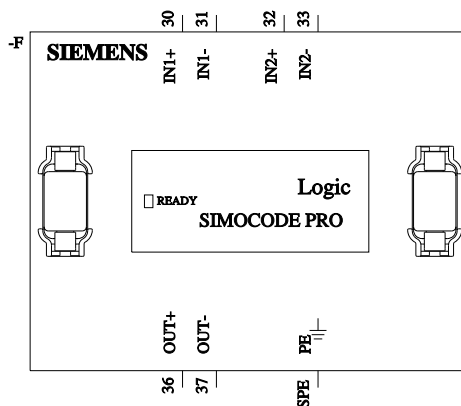
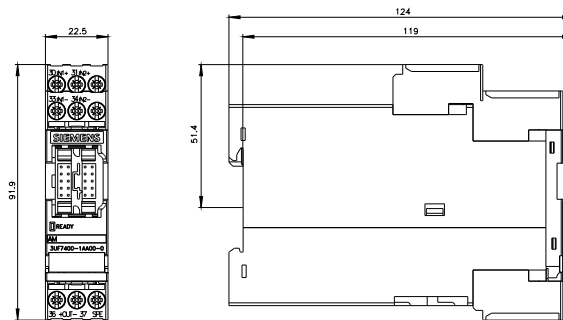
<https://support.industry.siemens.com/cs/ww/en/ps/3UF7400-1AA00-0>

Image database (product images, 2D dimension drawings, 3D models, device circuit diagrams, EPLAN macros, ...)

http://www.automation.siemens.com/bilddb/cax_de.aspx?mfb=3UF7400-1AA00-0&lang=en

Test report No. A0258, protective separation

<https://support.industry.siemens.com/cs/ww/en/view/109748152>



last modified:

1/8/2021 