



Temperature module, 3 inputs for connection of up to 3 temperature sensors, for SIMOCODE pro V basic unit

product brand name	SIRIUS
product designation	temperature module
General technical data	
product component	
<ul style="list-style-type: none"> input for thermistor connection 	No
<ul style="list-style-type: none"> input for analog temperature sensors 	Yes
<ul style="list-style-type: none"> input for ground fault detection 	No
surge voltage resistance rated value	4 000 V
protection class IP	IP20
shock resistance acc. to IEC 60068-2-27	15g / 11 ms
vibration resistance acc. to IEC 60068-2-6	1 ... 6 Hz: 15 mm, 6 ... 500 Hz: 2g
reference code acc. to IEC 81346-2	B
measurable temperature	
<ul style="list-style-type: none"> initial value 	-50 °C
<ul style="list-style-type: none"> full-scale value 	500 °C
Substance Prohibitance (Date)	01.05.2012 00:00:00
measurable temperature	
<ul style="list-style-type: none"> with NTC minimum 	80 °C
<ul style="list-style-type: none"> with NTC maximum 	160 °C
<ul style="list-style-type: none"> with KTY 84 minimum 	-40 °C
<ul style="list-style-type: none"> with KTY 84 maximum 	300 °C
<ul style="list-style-type: none"> with KTY 83-110 minimum 	-50 °C
<ul style="list-style-type: none"> with KTY 83-110 maximum 	175 °C
<ul style="list-style-type: none"> with Pt 1000 minimum 	-50 °C
<ul style="list-style-type: none"> with Pt 1000 maximum 	500 °C
<ul style="list-style-type: none"> with Pt 100 minimum 	-50 °C
<ul style="list-style-type: none"> with Pt 100 maximum 	500 °C
relative temperature-related measurement deviation at 20 °C	2 %
sensor current for Pt 100 typical	1 mA
sensor current for Pt 1000/KTY 83-110/KTY 84/NTC typical	0.2 mA
diagnostics function at sensor input with Pt 100	
<ul style="list-style-type: none"> short-circuit detection 	Yes
<ul style="list-style-type: none"> open-circuit detection 	Yes
diagnostics function at sensor input with Pt 1000	
<ul style="list-style-type: none"> short-circuit detection 	Yes
<ul style="list-style-type: none"> open-circuit detection 	Yes
diagnostics function at sensor input with KTY 83-110	
<ul style="list-style-type: none"> short-circuit detection 	Yes

<ul style="list-style-type: none"> open-circuit detection 	Yes
diagnostics function at sensor input with KTY 84	
<ul style="list-style-type: none"> short-circuit detection 	Yes
<ul style="list-style-type: none"> open-circuit detection 	Yes
diagnostics function at sensor input with NTC	
<ul style="list-style-type: none"> short-circuit detection 	Yes
<ul style="list-style-type: none"> open-circuit detection 	No
type of connection technology of sensor circuit	2-wire or 3-wire connection
A/D conversion time at sensor circuit	500 ms
Electromagnetic compatibility	
EMC emitted interference acc. to IEC 60947-1	class A
EMC immunity acc. to IEC 60947-1	corresponds to degree of severity 3
conducted interference	
<ul style="list-style-type: none"> due to burst acc. to IEC 61000-4-4 	1 kV
<ul style="list-style-type: none"> due to conductor-earth surge acc. to IEC 61000-4-5 	2 kV
<ul style="list-style-type: none"> due to conductor-conductor surge acc. to IEC 61000-4-5 	1 kV
field-based interference acc. to IEC 61000-4-3	10 V/m
Inputs/ Outputs	
number of inputs	3
number of digital inputs	0
number of analog inputs	3
number of outputs as contact-affected switching element	0
number of analog outputs	0
Protective and monitoring functions	
design of the sensor for temperature measurement connectable	PT100 / PT1000 / KTY83-110 / KTY84 / NTC
Precision	
temperature drift per °C	0.05 %/°C
Installation/ mounting/ dimensions	
mounting position	any
fastening method	screw and snap-on mounting
height	92 mm
width	22.5 mm
depth	124 mm
required spacing	
<ul style="list-style-type: none"> top 	40 mm
<ul style="list-style-type: none"> bottom 	40 mm
<ul style="list-style-type: none"> left 	0 mm
<ul style="list-style-type: none"> right 	0 mm
Connections/ Terminals	
type of connectable conductor cross-sections	
<ul style="list-style-type: none"> solid 	1x (0.5 ... 4.0 mm ²), 2x (0.5 ... 2.5 mm ²)
<ul style="list-style-type: none"> finely stranded with core end processing 	1x (0.5 ... 2.5 mm ²), 2x (0.5 ... 1.5 mm ²)
<ul style="list-style-type: none"> at AWG cables solid 	1x (20 ... 14), 2x (20 ... 16)
<ul style="list-style-type: none"> at AWG cables stranded 	1x (20 ... 12), 2x (20 ... 14)
tightening torque with screw-type terminals	0.8 ... 1.2 N·m
tightening torque [lbf·in] with screw-type terminals	7 ... 10.3 lbf·in
Ambient conditions	
installation altitude at height above sea level	
<ul style="list-style-type: none"> 1 maximum 	2 000 m
<ul style="list-style-type: none"> 2 maximum 	3 000 m; max. +50 °C (no protective separation)
<ul style="list-style-type: none"> 3 maximum 	4 000 m; max. +40 °C (no protective separation)
ambient temperature	
<ul style="list-style-type: none"> during operation 	-25 ... +60 °C
<ul style="list-style-type: none"> during storage 	-40 ... +80 °C
<ul style="list-style-type: none"> during transport 	-40 ... +80 °C
environmental category	
<ul style="list-style-type: none"> during operation acc. to IEC 60721 	3K6 (no formation of ice, no condensation), 3C3 (no salt mist), 3S2

- during storage acc. to IEC 60721
- during transport acc. to IEC 60721

(sand must not get into the devices), 3M6
 3K6 (no formation of ice, no condensation), 3C3 (no salt mist), 3S2
 (sand must not get into the devices), 3M6
 3K6 (no formation of ice, no condensation), 3C3 (no salt mist), 3S2
 (sand must not get into the devices), 3M6

relative humidity during operation	5 ... 95 %	
Safety related data		
touch protection against electrical shock	finger-safe	
Galvanic isolation		
galvanic isolation between inputs and electronics	No	
Certificates/ approvals		
General Product Approval	EMC	Declaration of Conformity

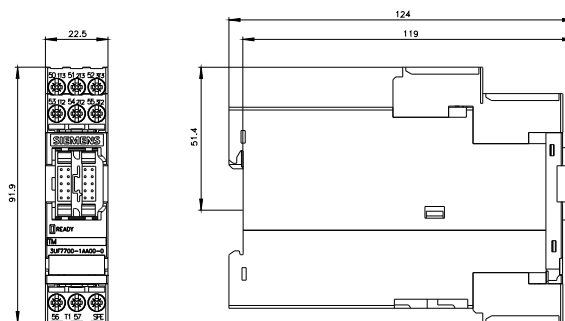


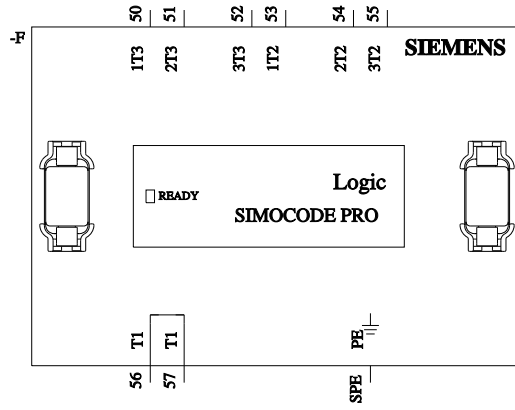
Test Certificates	Marine / Shipping	other
Type Test Certificates/Test Report	  	Confirmation PROFINET-Certification
other		



Further information

- Information- and Downloadcenter (Catalogs, Brochures,...)
<https://www.siemens.com/ic10>
- Industry Mall (Online ordering system)
<https://mall.industry.siemens.com/mall/en/en/Catalog/product?mlfb=3UF7700-1AA00-0>
- Cax online generator
<http://support.automation.siemens.com/WW/CAXorder/default.aspx?lang=en&mlfb=3UF7700-1AA00-0>
- Service&Support (Manuals, Certificates, Characteristics, FAQs,...)
<https://support.industry.siemens.com/cs/ww/en/ps/3UF7700-1AA00-0>
- Image database (product images, 2D dimension drawings, 3D models, device circuit diagrams, EPLAN macros, ...)
http://www.automation.siemens.com/bilddb/cax_de.aspx?mlfb=3UF7700-1AA00-0&lang=en
- Test report No. A0258, protective separation
<https://support.industry.siemens.com/cs/ww/en/view/109748152>





last modified:

1/8/2021 