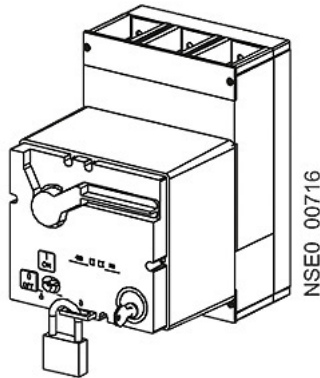


accessory for VL400, mot. op. mech. w/ strd en. mech 220...250V AC/DC



Model	
product brand name	SETRON
product designation	Motorized operating mechanism with stored energy mechanism
design of the product	Accessory for VL400
type of the driving mechanism	Motorized operating mechanism with spring energy store
General technical data	
break time / typical	5 s
operating frequency / maximum	120 1/h
Voltage	
fuse protection type / for external auxiliary power supply / required	NEOZED fuse (gL/gG): 2 A / miniature circuit breaker, C char.: 2 A
operating range factor control supply voltage rated value	
• at DC / initial value	0.85
• at DC / full-scale value	1.1
• at AC / at 50 Hz / initial value	0.85
• at AC / at 50 Hz / full-scale value	1.1
• at AC / at 60 Hz / initial value	0.85
• at AC / at 60 Hz / full-scale value	1.1
Protection class	
protection class IP	IP30
Current	
make time / typical	0.1 s
Control current	
operating apparent power	200 V·A
control supply voltage	
• at DC / rated value / minimum	250 V
• at DC / rated value / maximum	220 V
• at AC / at 50 Hz / rated value / minimum	220 V
• at AC / at 50 Hz / rated value / maximum	250 V
• at AC / at 60 Hz / rated value / minimum	220 V
• at AC / at 60 Hz / rated value / maximum	250 V
Accessories	
accessories	Accessories for VL400
pulse duration / minimum	50 ms
Connections	
stripped length	10 mm
connectable conductor cross-section / solid	
• minimum	0.75 mm ²
• maximum	1.5 mm ²

connectable conductor cross-section / stranded	
• minimum	0.75 mm ²
• maximum	1.5 mm ²
connectable conductor cross-section / finely stranded / with core end processing	
• minimum	0.75 mm ²
• maximum	1.5 mm ²
tightening torque	
• maximum	1 N·m

Mechanical Design	
height	160 mm
width	140 mm
depth	160 mm
net weight	4 593 g

Environmental conditions	
ambient temperature / during operation	
• minimum	-25 °C
• maximum	70 °C
ambient temperature / during storage	
• minimum	-40 °C
• maximum	80 °C

General Product Approval	EMC	Declaration of Conformity	Test Certificates	Marine / Shipping
--------------------------	-----	---------------------------	-------------------	-------------------

[Miscellaneous](#)



[Special Test Certificate](#)



Marine / Shipping	other
-------------------	-------



[Environmental Conformations](#)

[Confirmation](#)

[Miscellaneous](#)

Further information

Information- and Downloadcenter (Catalogs, Brochures,...)

<http://www.siemens.com/lowvoltage/catalogs>

Industry Mall (Online ordering system)

<https://mall.industry.siemens.com/mall/en/en/Catalog/product?mlfb=3VL9400-3MQ00>

Service&Support (Manuals, Certificates, Characteristics, FAQs,...)

<https://support.industry.siemens.com/cs/ww/en/ps/3VL9400-3MQ00>

Image database (product images, 2D dimension drawings, 3D models, device circuit diagrams, ...)

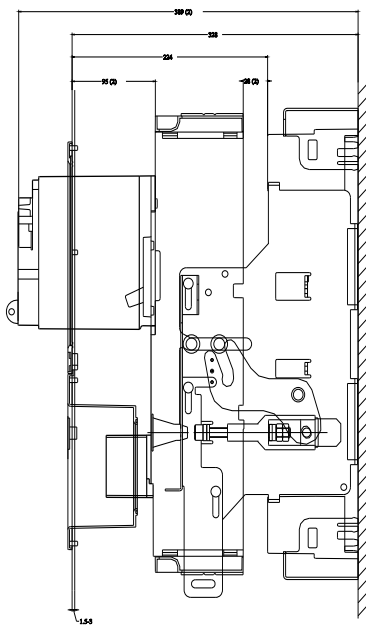
http://www.automation.siemens.com/bilddb/cax_en.aspx?mlfb=3VL9400-3MQ00

CAX-Online-Generator

<http://www.siemens.com/cax>

Tender specifications

<http://www.siemens.com/specifications>



(1) Betriebsstellung
(2) Trennstellung

