

accessory for VL630, VL800, mot. op. mech. w/ strd en. mech 110...127V AC/DC

Model	
product brand name	SETRON
product designation	Motorized operating mechanism with stored energy mechanism
design of the product	Accessories for VL630; VL800
type of the driving mechanism	Motorized operating mechanism with spring energy store
General technical data	
break time / typical	5 s
operating frequency / maximum	60 1/h
Voltage	
fuse protection type / for external auxiliary power supply / required	NEOZED fuse (gL/gG): 2 A / miniature circuit breaker, C char.: 2 A
operating range factor control supply voltage rated value	
• at DC / initial value	0.85
• at DC / full-scale value	1.1
• at AC / at 50 Hz / initial value	0.85
• at AC / at 50 Hz / full-scale value	1.1
• at AC / at 60 Hz / initial value	0.85
• at AC / at 60 Hz / full-scale value	1.1
Protection class	
protection class IP	IP30
Current	
make time / typical	0.1 s
Control current	
operating apparent power	250 V·A
control supply voltage	
• at DC / rated value / minimum	127 V
• at DC / rated value / maximum	110 V
• at AC / at 50 Hz / rated value / minimum	110 V
• at AC / at 50 Hz / rated value / maximum	127 V
• at AC / at 60 Hz / rated value / minimum	110 V
• at AC / at 60 Hz / rated value / maximum	127 V
Accessories	
accessories	Accessories for VL630; VL800
pulse duration / minimum	50 ms
Connections	
stripped length	10 mm
connectable conductor cross-section / solid	
• minimum	0.75 mm ²
• maximum	1.5 mm ²

connectable conductor cross-section / stranded	
• minimum	0.75 mm ²
• maximum	1.5 mm ²
connectable conductor cross-section / finely stranded / with core end processing	
• minimum	0.75 mm ²
• maximum	1.5 mm ²
tightening torque	
• maximum	1 N·m

Mechanical Design	
height	190 mm
width	173 mm
depth	160 mm
net weight	5 473 g

Environmental conditions	
ambient temperature / during operation	
• minimum	-25 °C
• maximum	70 °C
ambient temperature / during storage	
• minimum	-40 °C
• maximum	80 °C

General Product Approval	EMC	Declaration of Conformity	Test Certificates	Marine / Shipping
--------------------------	-----	---------------------------	-------------------	-------------------

[Miscellaneous](#)



[Special Test Certificate](#)



Marine / Shipping	other
-------------------	-------



[Confirmation](#)

[Miscellaneous](#)

[Environmental Confirmations](#)

Further information

Information- and Downloadcenter (Catalogs, Brochures,...)

<http://www.siemens.com/lowvoltage/catalogs>

Industry Mall (Online ordering system)

<https://mall.industry.siemens.com/mall/en/en/Catalog/product?mlfb=3VL9600-3MN00>

Service&Support (Manuals, Certificates, Characteristics, FAQs,...)

<https://support.industry.siemens.com/cs/ww/en/ps/3VL9600-3MN00>

Image database (product images, 2D dimension drawings, 3D models, device circuit diagrams, ...)

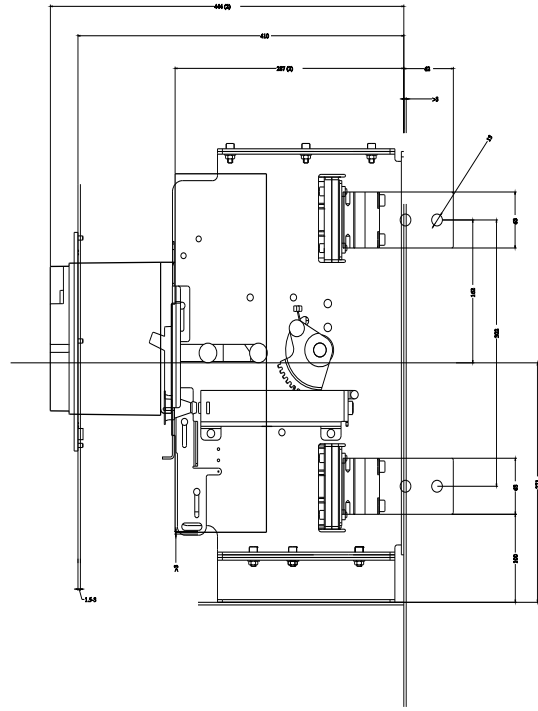
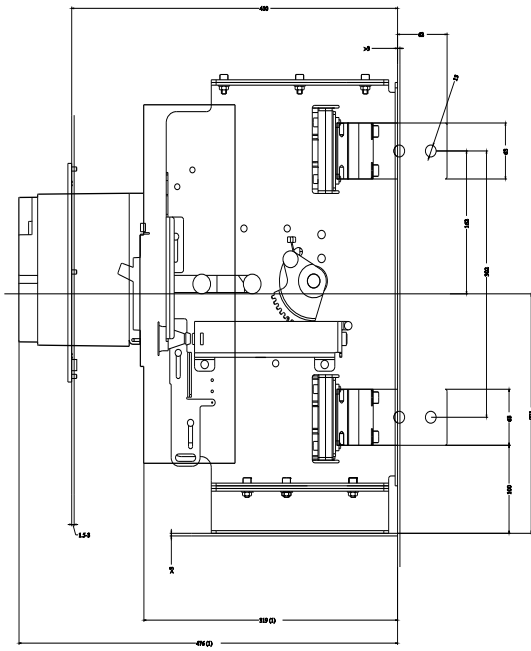
http://www.automation.siemens.com/bilddb/cax_en.aspx?mlfb=3VL9600-3MN00

CAX-Online-Generator

<http://www.siemens.com/cax>

Tender specifications

<http://www.siemens.com/specifications>



(1) Ausgangslösung
 (2) Eingangslösung



