

accessory for VL630, VL800, mot. op. mech. w/ strd en. mech 220...250V AC/DC

| Model   |  |
|---|--|
| product brand name  | SETRON   |
| product designation   | Motorized operating mechanism with stored energy mechanism         |
| design of the product   | Accessories for VL630; VL800                                       |
| type of the driving mechanism   | Motorized operating mechanism with spring energy store             |
| General technical data  |  |
| break time / typical  | 5 s  |
| operating frequency / maximum   | 60 1/h   |
| Voltage   |  |
| fuse protection type / for external auxiliary power supply / required | NEOZED fuse (gL/gG): 2 A / miniature circuit breaker, C char.: 2 A |
| operating range factor control supply voltage rated value             |  |
| • at DC / initial value   | 0.85   |
| • at DC / full-scale value  | 1.1  |
| • at AC / at 50 Hz / initial value                                    | 0.85   |
| • at AC / at 50 Hz / full-scale value                                 | 1.1  |
| • at AC / at 60 Hz / initial value                                    | 0.85   |
| • at AC / at 60 Hz / full-scale value                                 | 1.1  |
| Protection class  |  |
| protection class IP   | IP30   |
| Current   |  |
| make time / typical   | 0.1 s  |
| Control current   |  |
| operating apparent power  | 250 V·A  |
| control supply voltage  |  |
| • at DC / rated value / minimum                                       | 250 V  |
| • at DC / rated value / maximum                                       | 220 V  |
| • at AC / at 50 Hz / rated value / minimum                            | 220 V  |
| • at AC / at 50 Hz / rated value / maximum                            | 250 V  |
| • at AC / at 60 Hz / rated value / minimum                            | 220 V  |
| • at AC / at 60 Hz / rated value / maximum                            | 250 V  |
| Accessories   |  |
| accessories   | Accessories for VL630; VL800                                       |
| pulse duration / minimum  | 50 ms  |
| Connections   |  |
| stripped length   | 10 mm  |
| connectable conductor cross-section / solid                           |  |
| • minimum   | 0.75 mm <sup>2</sup>   |
| • maximum   | 1.5 mm <sup>2</sup>  |

|  |                      |
|--|----------------------|
| connectable conductor cross-section / stranded                                   |                      |
| • minimum  | 0.75 mm <sup>2</sup> |
| • maximum  | 1.5 mm <sup>2</sup>  |
| connectable conductor cross-section / finely stranded / with core end processing |                      |
| • minimum  | 0.75 mm <sup>2</sup> |
| • maximum  | 1.5 mm <sup>2</sup>  |
| tightening torque  |                      |
| • maximum  | 1 N·m                |

| Mechanical Design |         |
|-------------------|---------|
| height            | 190 mm  |
| width             | 173 mm  |
| depth             | 160 mm  |
| net weight        | 5 639 g |

| Environmental conditions               |        |
|--|--------|
| ambient temperature / during operation |        |
| • minimum                              | -25 °C |
| • maximum                              | 70 °C  |
| ambient temperature / during storage   |        |
| • minimum                              | -40 °C |
| • maximum                              | 80 °C  |

| General Product Approval | EMC | Declaration of Conformity | Test Certificates | Marine / Shipping |
|--------------------------|-----|---------------------------|-------------------|-------------------|
|--------------------------|-----|---------------------------|-------------------|-------------------|

[Miscellaneous](#)



[Special Test Certificate](#)



| Marine / Shipping | other |
|-------------------|-------|
|-------------------|-------|



[Confirmation](#)

[Environmental Confirmations](#)

[Miscellaneous](#)

### Further information

Information- and Downloadcenter (Catalogs, Brochures,...)

<http://www.siemens.com/lowvoltage/catalogs>

Industry Mall (Online ordering system)

<https://mall.industry.siemens.com/mall/en/en/Catalog/product?mlfb=3VL9600-3MQ00>

Service&Support (Manuals, Certificates, Characteristics, FAQs,...)

<https://support.industry.siemens.com/cs/ww/en/ps/3VL9600-3MQ00>

Image database (product images, 2D dimension drawings, 3D models, device circuit diagrams, ...)

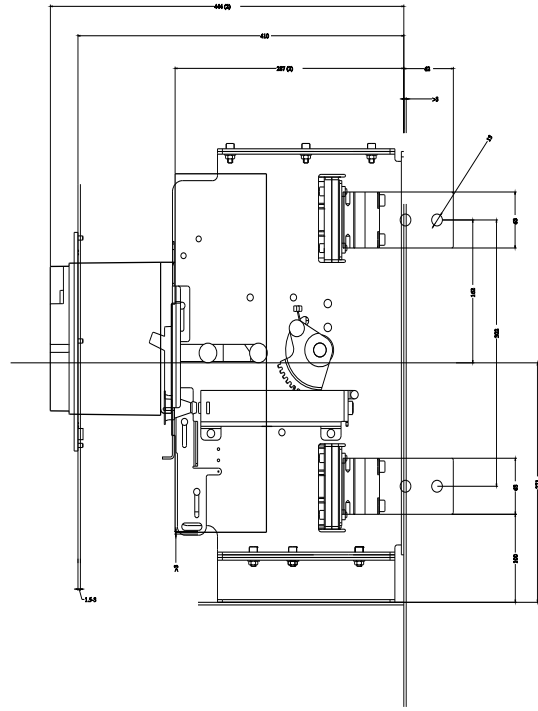
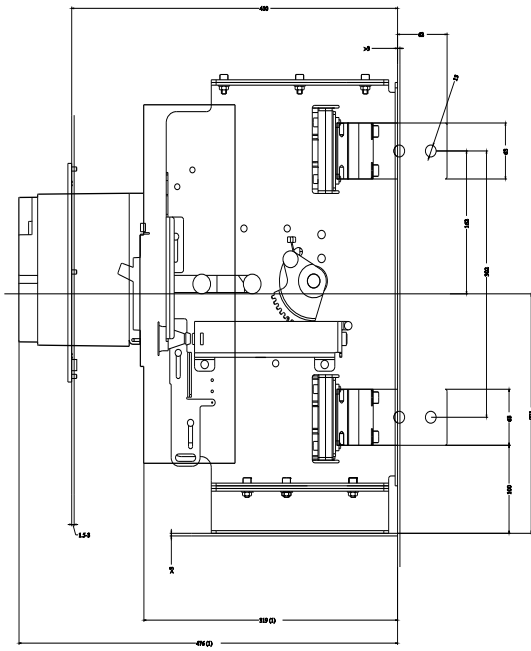
[http://www.automation.siemens.com/bilddb/cax\\_en.aspx?mlfb=3VL9600-3MQ00](http://www.automation.siemens.com/bilddb/cax_en.aspx?mlfb=3VL9600-3MQ00)

CAX-Online-Generator

<http://www.siemens.com/cax>

Tender specifications

<http://www.siemens.com/specifications>



(1) Ausgangslösung  
 (2) Eingangslösung



