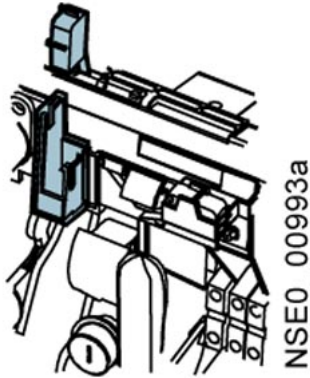


accessories circuit breaker 3WL ready to run message s20



Model			
product brand name	SENTRON		
product designation	Ready-to-close signaling switch		
design of the product	Accessories		
General technical data			
degree of pollution	3		
Voltage			
surge voltage resistance / rated value	4 kV		
Supply voltage			
operating voltage			
• at AC / at 50 Hz / rated value / maximum	250 V		
• at DC / rated value / maximum	250 V		
Current			
operational current			
• at AC-12 / at 230 V / rated value	8 A		
• at DC-12 / at 230 V / rated value	0.2 A		
• at DC-12 / at 110 V / rated value	0.4 A		
Short circuit			
design of the DIAZED fuse link gG / for short-circuit protection / maximum permissible	2 A Dz (quick)		
General Product Approval	EMC	Declaration of Conformity	Test Certificates

[Confirmation](#)



[UK Declaration of Conformity](#)



[Miscellaneous](#)

other

[Environmental Conformations](#)

[Miscellaneous](#)

[Miscellaneous](#)

Further information

Information- and Downloadcenter (Catalogs, Brochures,...)
<http://www.siemens.com/lowvoltage/catalogs>
 Industry Mall (Online ordering system)

<https://mall.industry.siemens.com/mall/en/en/Catalog/product?mfb=3WL9111-0AH01-0AA0>

Service&Support (Manuals, Certificates, Characteristics, FAQs,...)

<https://support.industry.siemens.com/cs/ww/en/ps/3WL9111-0AH01-0AA0>

Image database (product images, 2D dimension drawings, 3D models, device circuit diagrams, ...)

http://www.automation.siemens.com/bilddb/cax_en.aspx?mfb=3WL9111-0AH01-0AA0

CAX-Online-Generator

<http://www.siemens.com/cax>

Tender specifications

<http://www.siemens.com/specifications>



