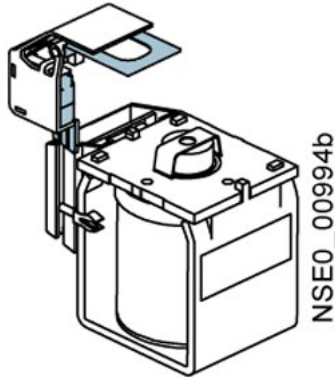


accessories circuit breaker 3WL signal switch for 1st and 2nd aux. release



Model			
product brand name	SETRON		
product designation	Signaling switch		
design of the product	Accessories		
General technical data			
degree of pollution	3		
Voltage			
surge voltage resistance / rated value	4 kV		
Supply voltage			
operating voltage			
• at AC / at 50 Hz / rated value / maximum	250 V		
• at DC / rated value / maximum	250 V		
Current			
operational current			
• at AC-12 / at 230 V / rated value	8 A		
• at DC-12 / at 230 V / rated value	0.2 A		
• at DC-12 / at 110 V / rated value	0.4 A		
• at DC-12 / at 24 V / rated value	6 A		
Short circuit			
design of the DIAZED fuse link gG / for short-circuit protection / maximum permissible	6 A Dz (quick)		
General Product Approval	EMC	Declaration of Conformity	Test Certificates

[Confirmation](#)



[UK Declaration of Conformity](#)

[Miscellaneous](#)

other

[Environmental Conformations](#)

[Miscellaneous](#)

[Miscellaneous](#)

Further information

Information- and Downloadcenter (Catalogs, Brochures,...)
<http://www.siemens.com/lowvoltage/catalogs>

Industry Mall (Online ordering system)

<https://mall.industry.siemens.com/mall/en/en/Catalog/product?mfb=3WL9111-0AH02-0AA0>

Service&Support (Manuals, Certificates, Characteristics, FAQs,...)

<https://support.industry.siemens.com/cs/ww/en/ps/3WL9111-0AH02-0AA0>

Image database (product images, 2D dimension drawings, 3D models, device circuit diagrams, ...)

http://www.automation.siemens.com/bilddb/cax_en.aspx?mfb=3WL9111-0AH02-0AA0

CAX-Online-Generator

<http://www.siemens.com/cax>

Tender specifications

<http://www.siemens.com/specifications>



