

Pin busbar touch-safe, 16 mm<sup>2</sup> 4-phase, 214 mm long can be cut, with end caps



Model	
product brand name	SENTRON
product designation	Pin busbar
design of the product	16 mm <sup>2</sup> , 4PH L214mm
General technical data	
phase number	4
cross-section	16 mm <sup>2</sup>
Main circuit	
operational current / rated value	80 A
Product details	
product feature / insulated	Yes
Connections	
type of electrical connection	Pin
Mechanical Design	
width	23.7 mm
length	214 mm
net weight	151.83 g
General Product Approval	
Declaration of Conformity	
other	

[Confirmation](#)

[Miscellaneous](#)



[UK Declaration of Conformity](#)



[Miscellaneous](#)

EG-Konf.

### Further information

Information- and Downloadcenter (Catalogs, Brochures,...)

<http://www.siemens.com/lowvoltage/catalogs>

Industry Mall (Online ordering system)

<https://mall.industry.siemens.com/mall/en/en/Catalog/product?mlfb=5ST3715>

Service&Support (Manuals, Certificates, Characteristics, FAQs,...)

<https://support.industry.siemens.com/cs/ww/en/ps/5ST3715>

Image database (product images, 2D dimension drawings, 3D models, device circuit diagrams, ...)

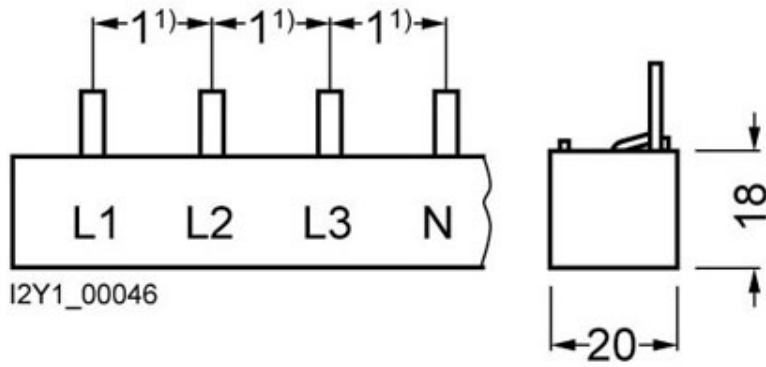
[http://www.automation.siemens.com/bilddb/cax\\_en.aspx?mlfb=5ST3715](http://www.automation.siemens.com/bilddb/cax_en.aspx?mlfb=5ST3715)

CAX-Online-Generator

<http://www.siemens.com/cax>

Tender specifications

<http://www.siemens.com/specifications>



I2Y1\_00046

<sup>1)</sup> Pin spacings in MW (Modular widths, 1 MW = 18 mm).



