

Pin busbar, 1-phase 10 mm², 56 pins, Insulation gray can be cut, without end caps



Model	
product brand name	SENTRON
product designation	Pin busbar
design of the product	1PH 10 mm ² , 56 pins gy
General technical data	
phase number	1
cross-section	10 mm ²
Main circuit	
operational current / rated value	63 A
Product details	
product feature / insulated	Yes
Connections	
type of electrical connection	Pin
Mechanical Design	
width	5.6 mm
length	990 mm
net weight	144.13 g
General Product Approval	
Declaration of Conformity	
other	

[Confirmation](#)

[Miscellaneous](#)



[UK Declaration of Conformity](#)

[Miscellaneous](#)

Further information

Information- and Downloadcenter (Catalogs, Brochures,...)

<http://www.siemens.com/lowvoltage/catalogs>

Industry Mall (Online ordering system)

<https://mall.industry.siemens.com/mall/en/en/Catalog/product?mlfb=5ST3764>

Service&Support (Manuals, Certificates, Characteristics, FAQs,...)

<https://support.industry.siemens.com/cs/ww/en/ps/5ST3764>

Image database (product images, 2D dimension drawings, 3D models, device circuit diagrams, ...)

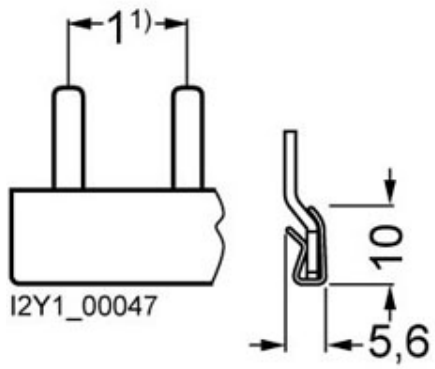
http://www.automation.siemens.com/bilddb/cax_en.aspx?mlfb=5ST3764

CAX-Online-Generator

<http://www.siemens.com/cax>

Tender specifications

<http://www.siemens.com/specifications>



1) Pin spacings in MW (Modular widths, 1 MW = 18 mm).

