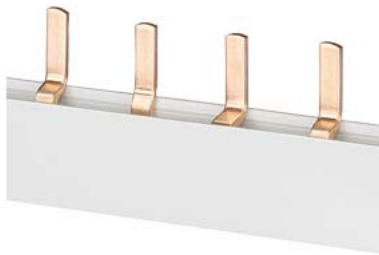


Pin busbar, 10 mm² connection: 2x 4-phase touch-safe



Model					
product brand name	SENTRON				
product designation	Pin busbar				
design of the product	10 mm ² , 2 x 4PH				
General technical data					
phase number	4				
cross-section	10 mm ²				
Main circuit					
operational current / rated value	63 A				
Product details					
product feature / insulated	Yes				
Connections					
type of electrical connection	Pin				
Mechanical Design					
width	12 mm				
length	140 mm				
net weight	51.53 g				
General Product Approval					
<table border="1"> <thead> <tr> <th>Declaration of Conformity</th> <th>other</th> </tr> </thead> <tbody> <tr> <td> Confirmation </td> <td> Miscellaneous </td> </tr> </tbody> </table>		Declaration of Conformity	other	Confirmation	Miscellaneous
Declaration of Conformity	other				
Confirmation	Miscellaneous				



[UK Declaration of Conformity](#)

[Miscellaneous](#)

Further information

Information- and Downloadcenter (Catalogs, Brochures,...)

<http://www.siemens.com/lowvoltage/catalogs>

Industry Mall (Online ordering system)

<https://mall.industry.siemens.com/mall/en/en/Catalog/product?mlfb=5ST3621>

Service&Support (Manuals, Certificates, Characteristics, FAQs,...)

<https://support.industry.siemens.com/cs/ww/en/ps/5ST3621>

Image database (product images, 2D dimension drawings, 3D models, device circuit diagrams, ...)

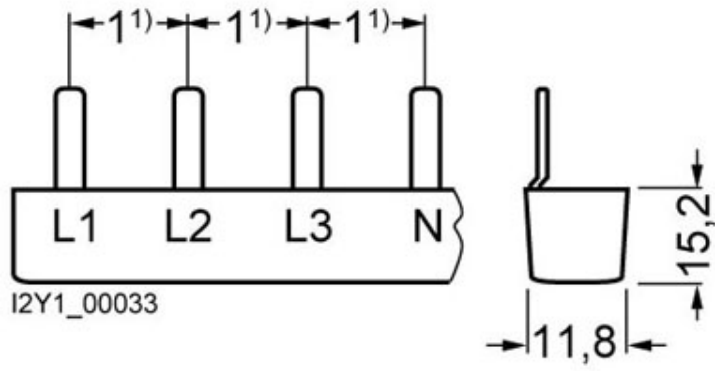
http://www.automation.siemens.com/bilddb/cax_en.aspx?mlfb=5ST3621

CAX-Online-Generator

<http://www.siemens.com/cax>

Tender specifications

<http://www.siemens.com/specifications>



1) Pin spacings in MW (Modular widths, 1 MW = 18 mm).

