



residual current device RCD820 advanced RCD type A load side mounted  
 rated resid. current 0.03...30A at 50/60Hz adjustable tv 0...10000ms 4-pole  
 In=630A Ue=100-690V accessory for: 3VA2

Model	
product brand name	SETRON
product designation	Accessories
Product version	Residual current protection module type A
Product group primary device	3VA24
General technical data	
fastening method	screw fixing
number of poles	4
protection class IP / on the front	IP40
Current	
Current / at AC / rated value	630 A
response value / of the residual current	0.03;0.05;0.1;0.3;0.5;1;3;5;10;30
Mechanical Design	
product function / communication with residual current equipment	Yes
<ul style="list-style-type: none"> <li>product function / integrated / alarm management</li> <li>product function / integrated / alarm management</li> <li>product function / remote-controlled tripping</li> <li>Fonctionnalité/plombable</li> <li>product function / selectable tripping characteristic</li> <li>product function / selectable RCD or monitoring mode</li> </ul>	Yes Pre-alarm indication 30% and 60% Yes Yes No Yes
remote reset function	Yes
position / of the infeed / on the RCD component	Top or bottom
type of electrical connection / for main current circuit	busbar connection
set values / of the limit value of not tripping time	0;0.06;0.15;0.3;0.5;1.0;2.0;3.0;5.0;10.0
type of trip indicator / electrical	Yes
type of trip indicator / communication	Yes
power loss [W] / maximum	66 W
Rated frequency	60 Hz
operating frequency	50/60Hz
Height	150 mm
Width	184 mm
depth	110 mm
net weight	3 598 g
ambient temperature / during operation	
<ul style="list-style-type: none"> <li>minimum</li> <li>maximum</li> </ul>	-25 °C 70 °C

## Further information

Information- and Downloadcenter (Catalogs, Brochures,...)

<http://www.siemens.com/lowvoltage/catalogs>

Industry Mall (Online ordering system)

<https://mall.industry.siemens.com/mall/en/en/Catalog/product?mfb=3VA9424-0RL30>

Service&Support (Manuals, Certificates, Characteristics, FAQs,...)

<https://support.industry.siemens.com/cs/ww/en/ps/3VA9424-0RL30>

Image database (product images, 2D dimension drawings, 3D models, device circuit diagrams, ...)

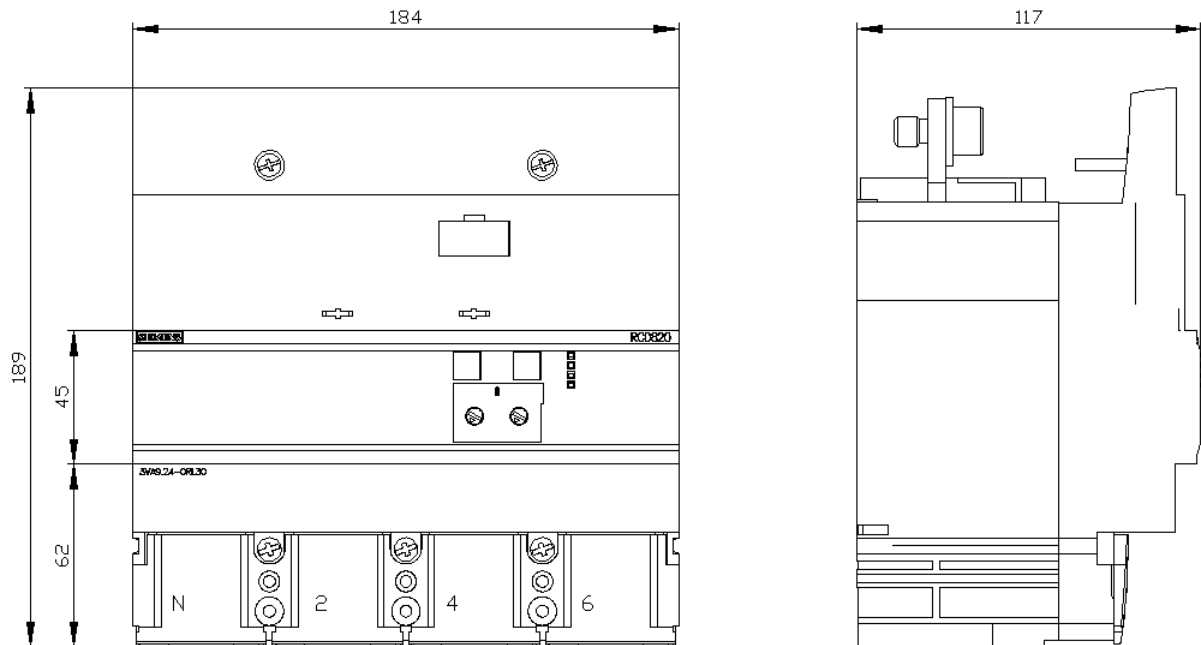
[http://www.automation.siemens.com/bilddb/cax\\_en.aspx?mfb=3VA9424-0RL30](http://www.automation.siemens.com/bilddb/cax_en.aspx?mfb=3VA9424-0RL30)

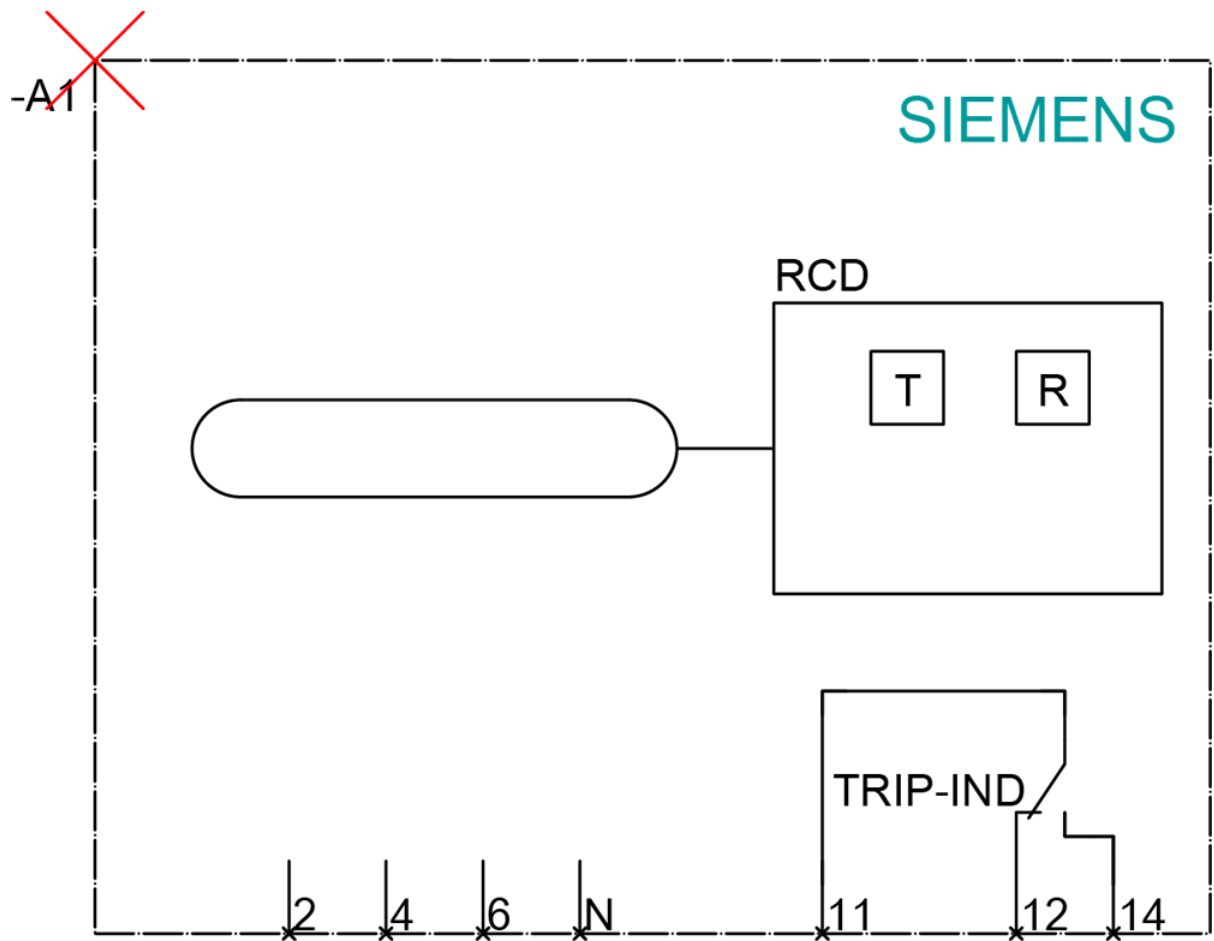
CAX-Online-Generator

<http://www.siemens.com/cax>

Tender specifications

<http://www.siemens.com/specifications>





last modified:

12/20/2020 