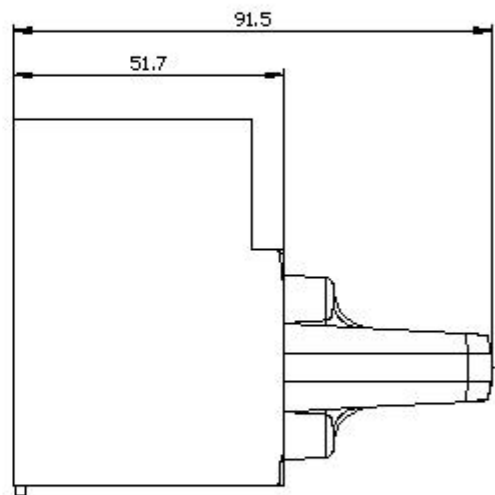
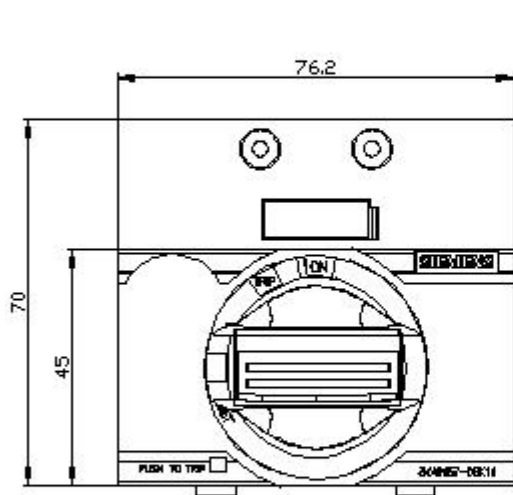




front mounted rotary operator standard IEC IP30/40 accessory for: 3VA1 100/160

Model	
product brand name	SENTRON
product designation	Accessories
Product version	Front rotary operating mechanism
Accessories	Front rotary operator
General technical data	
protection class IP	IP30
Mechanical Design	
Height	70 mm
Width	77 mm
depth	95 mm
net weight	203 g
Further information	
<b>Information- and Downloadcenter (Catalogs, Brochures,...)</b> <a href="http://www.siemens.com/lowvoltage/catalogs">http://www.siemens.com/lowvoltage/catalogs</a>	
<b>Industry Mall (Online ordering system)</b> <a href="https://mall.industry.siemens.com/mall/en/en/Catalog/product?mlfb=3VA9157-0EK11">https://mall.industry.siemens.com/mall/en/en/Catalog/product?mlfb=3VA9157-0EK11</a>	
<b>Service&amp;Support (Manuals, Certificates, Characteristics, FAQs,...)</b> <a href="https://support.industry.siemens.com/cs/ww/en/ps/3VA9157-0EK11">https://support.industry.siemens.com/cs/ww/en/ps/3VA9157-0EK11</a>	
<b>Image database (product images, 2D dimension drawings, 3D models, device circuit diagrams, ...)</b> <a href="http://www.automation.siemens.com/bilddb/cax_en.aspx?mlfb=3VA9157-0EK11">http://www.automation.siemens.com/bilddb/cax_en.aspx?mlfb=3VA9157-0EK11</a>	
<b>CAX-Online-Generator</b> <a href="http://www.siemens.com/cax">http://www.siemens.com/cax</a>	
<b>Tender specifications</b> <a href="http://www.siemens.com/specifications">http://www.siemens.com/specifications</a>	



last modified:

12/20/2020 