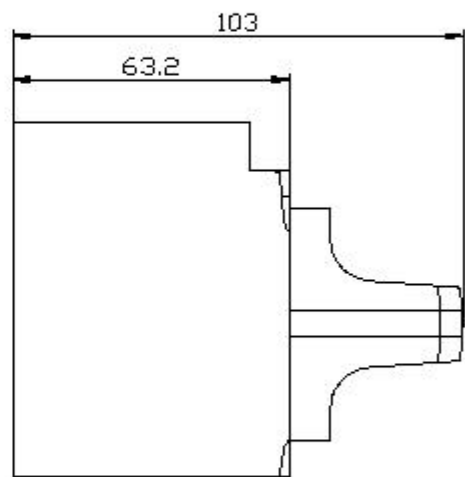
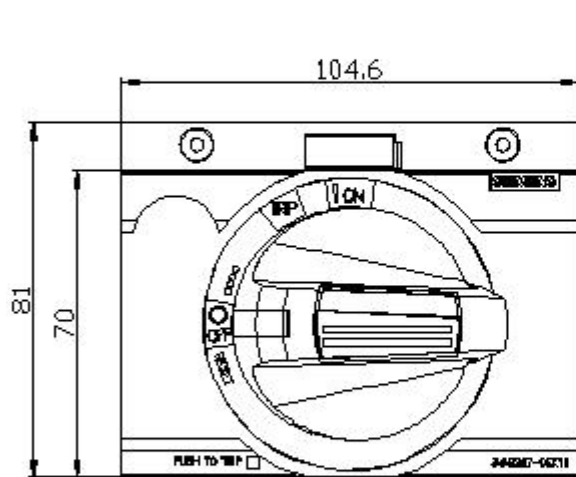


front mounted rotary operator standard IEC IP30/40 accessory for: 3VA2 100/160/250



Model	
product brand name	SETRON
product designation	Accessories
Product version	Front rotary operating mechanism
Accessories	Front rotary operator
General technical data	
protection class IP	IP30
Mechanical Design	
Height	82 mm
Width	105 mm
depth	106 mm
net weight	301 g
Further information	
Information- and Downloadcenter (Catalogs, Brochures,...) http://www.siemens.com/lowvoltage/catalogs	
Industry Mall (Online ordering system) https://mall.industry.siemens.com/mall/en/en/Catalog/product?mlfb=3VA9267-0EK11	
Service&Support (Manuals, Certificates, Characteristics, FAQs,...) https://support.industry.siemens.com/cs/ww/en/ps/3VA9267-0EK11	
Image database (product images, 2D dimension drawings, 3D models, device circuit diagrams, ...) http://www.automation.siemens.com/bilddb/cax_en.aspx?mlfb=3VA9267-0EK11	
CAX-Online-Generator http://www.siemens.com/cax	
Tender specifications http://www.siemens.com/specifications	



last modified:

12/20/2020 