



FRONT MOUNTED ROTARY OPERATOR STANDARD IEC IP30/40
ACCESSORY FOR 3VA15/25 1000

Model	
product brand name	SENTRON
product designation	Accessories
Product version	Front rotary operating mechanism
Accessories	Front rotary operator
General technical data	
protection class IP	IP30
Mechanical Design	
net weight	2 477 g
Further information	

Information- and Downloadcenter (Catalogs, Brochures,...)

<http://www.siemens.com/lowvoltage/catalogs>

Industry Mall (Online ordering system)

<https://mall.industry.siemens.com/mall/en/en/Catalog/product?mlfb=3VA9687-0EK11>

Service&Support (Manuals, Certificates, Characteristics, FAQs,...)

<https://support.industry.siemens.com/cs/ww/en/ps/3VA9687-0EK11>

Image database (product images, 2D dimension drawings, 3D models, device circuit diagrams, ...)

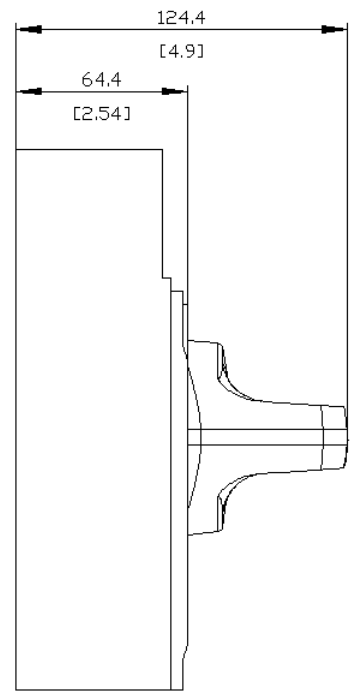
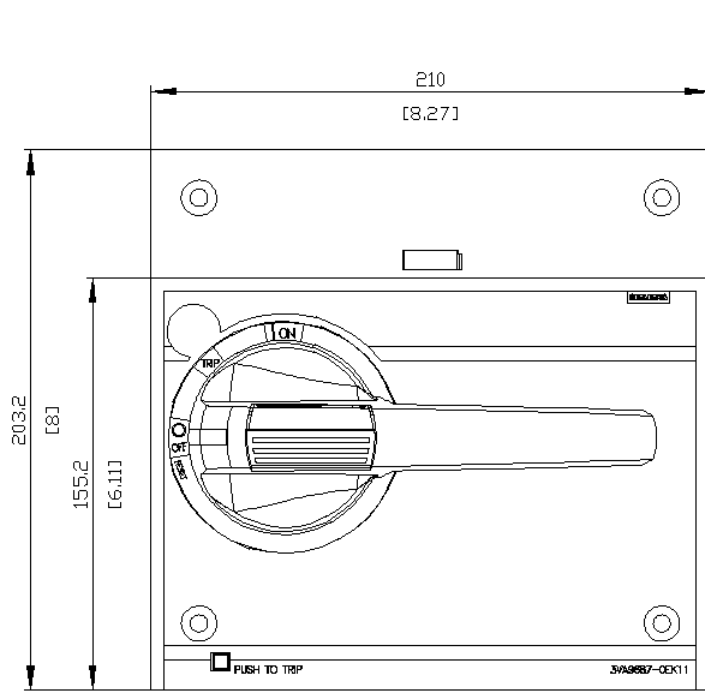
http://www.automation.siemens.com/bilddb/cax_en.aspx?mlfb=3VA9687-0EK11

CAX-Online-Generator

<http://www.siemens.com/cax>

Tender specifications

<http://www.siemens.com/specifications>



last modified:

12/20/2020 