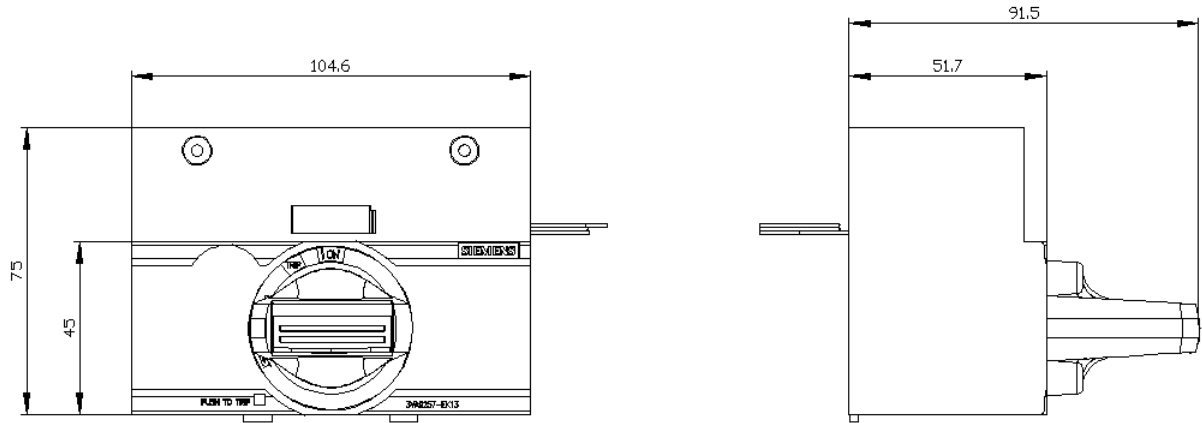


front mounted rotary operator standard IEC IP30/40 24V DC lighting kit  
accessory for: 3VA1 250



Model	
product brand name	SETRON
product designation	Accessories
Product version	Front rotary operating mechanism
Accessories	Front rotary operator
General technical data	
protection class IP	IP30
Mechanical Design	
Height	75 mm
Width	105 mm
depth	95 mm
net weight	226 g
Further information	
<b>Information- and Downloadcenter (Catalogs, Brochures,...)</b> <a href="http://www.siemens.com/lowvoltage/catalogs">http://www.siemens.com/lowvoltage/catalogs</a>	
<b>Industry Mall (Online ordering system)</b> <a href="https://mall.industry.siemens.com/mall/en/en/Catalog/product?mlfb=3VA9257-0EK13">https://mall.industry.siemens.com/mall/en/en/Catalog/product?mlfb=3VA9257-0EK13</a>	
<b>Service&amp;Support (Manuals, Certificates, Characteristics, FAQs,...)</b> <a href="https://support.industry.siemens.com/cs/ww/en/ps/3VA9257-0EK13">https://support.industry.siemens.com/cs/ww/en/ps/3VA9257-0EK13</a>	
<b>Image database (product images, 2D dimension drawings, 3D models, device circuit diagrams, ...)</b> <a href="http://www.automation.siemens.com/bilddb/cax_en.aspx?mlfb=3VA9257-0EK13">http://www.automation.siemens.com/bilddb/cax_en.aspx?mlfb=3VA9257-0EK13</a>	
<b>CAX-Online-Generator</b> <a href="http://www.siemens.com/cax">http://www.siemens.com/cax</a>	
<b>Tender specifications</b> <a href="http://www.siemens.com/specifications">http://www.siemens.com/specifications</a>	



last modified:

12/20/2020 