



switch disconnecter 3VA1 IEC frame 630 4-pole SD100, In=500A without overload protection w/o short-circuit protection nut keeper kit

Model	
product brand name	SENTRON
product designation	Switch disconnecter
Product version	in MCCB design
number of poles	4
design of the auxiliary release	without
Auxiliary contact version	Without
General technical data	
rated insulation voltage Ui	800 V
Max. rated operational voltage Ue with DC	600 V
power loss [W] / maximum	120 W
mechanical service life (switching cycles) / typical	15 000
product function / communication function	No
Current	
operational current	
• at 40 °C	500 A
• at 45 °C	500 A
• at 50 °C	500 A
• at 55 °C	500 A
• at 60 °C	500 A
• at 65 °C	500 A
• at 70 °C	500 A
Mechanical Design	
Height	248 mm
Width	184 mm
depth	110 mm
Connections	
arrangement of electrical connectors / for main current circuit	Front terminal
type of electrical connection / for main current circuit	busbar connection
design of the surface / of the connections / on the top of the switch (N, 1, 3, 5)	silver
design of the surface / of the connections / on the bottom of the switch (N, 2, 4, 6)	Silver
Auxiliary circuit	
product component	
• undervoltage release	No
• voltage trigger	No

• undervoltage release with leading contact	No	
• trip indicator	No	
number of CO contacts / for auxiliary contacts	0	
Accessories		
product extension / optional / motor drive	Yes	
Environmental conditions		
protection class IP / on the front	IP40	
ambient temperature		
• during operation / minimum	-25 °C	
• during operation / maximum	70 °C	
• during storage / minimum	-40 °C	
• during storage / maximum	80 °C	
Certificates		
reference code / acc. to IEC 81346-2	Q	
General Product Approval	EMC	Declaration of Conformity



[Miscellaneous](#)



Declaration of Conformity	Test Certificates	other
----------------------------------	--------------------------	--------------

[UK Declaration of Conformity](#)

[Special Test Certificate](#)

[Miscellaneous](#)

[Miscellaneous](#)

[Miscellaneous](#)

Further information

Information- and Downloadcenter (Catalogs, Brochures,...)

<http://www.siemens.com/lowvoltage/catalogs>

Industry Mall (Online ordering system)

<https://mall.industry.siemens.com/mall/en/en/Catalog/product?mlfb=3VA1450-1AA42-0AA0>

Service&Support (Manuals, Certificates, Characteristics, FAQs,...)

<https://support.industry.siemens.com/cs/ww/en/ps/3VA1450-1AA42-0AA0>

Image database (product images, 2D dimension drawings, 3D models, device circuit diagrams, ...)

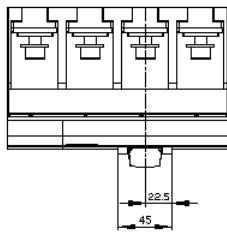
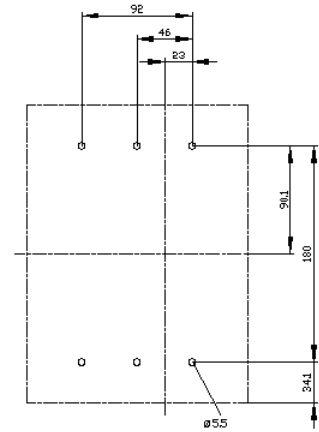
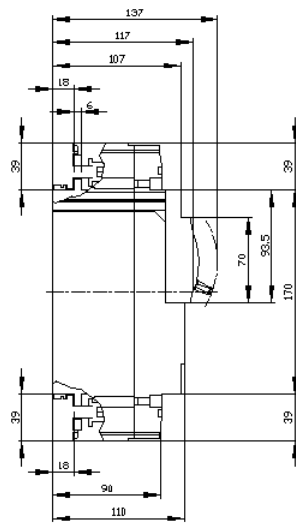
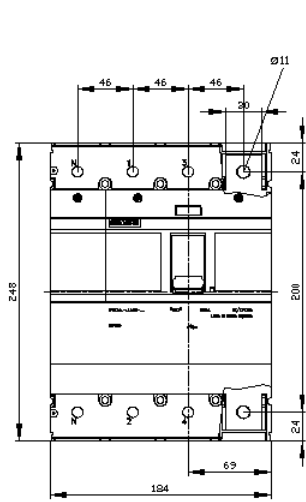
http://www.automation.siemens.com/bilddb/cax_en.aspx?mlfb=3VA1450-1AA42-0AA0

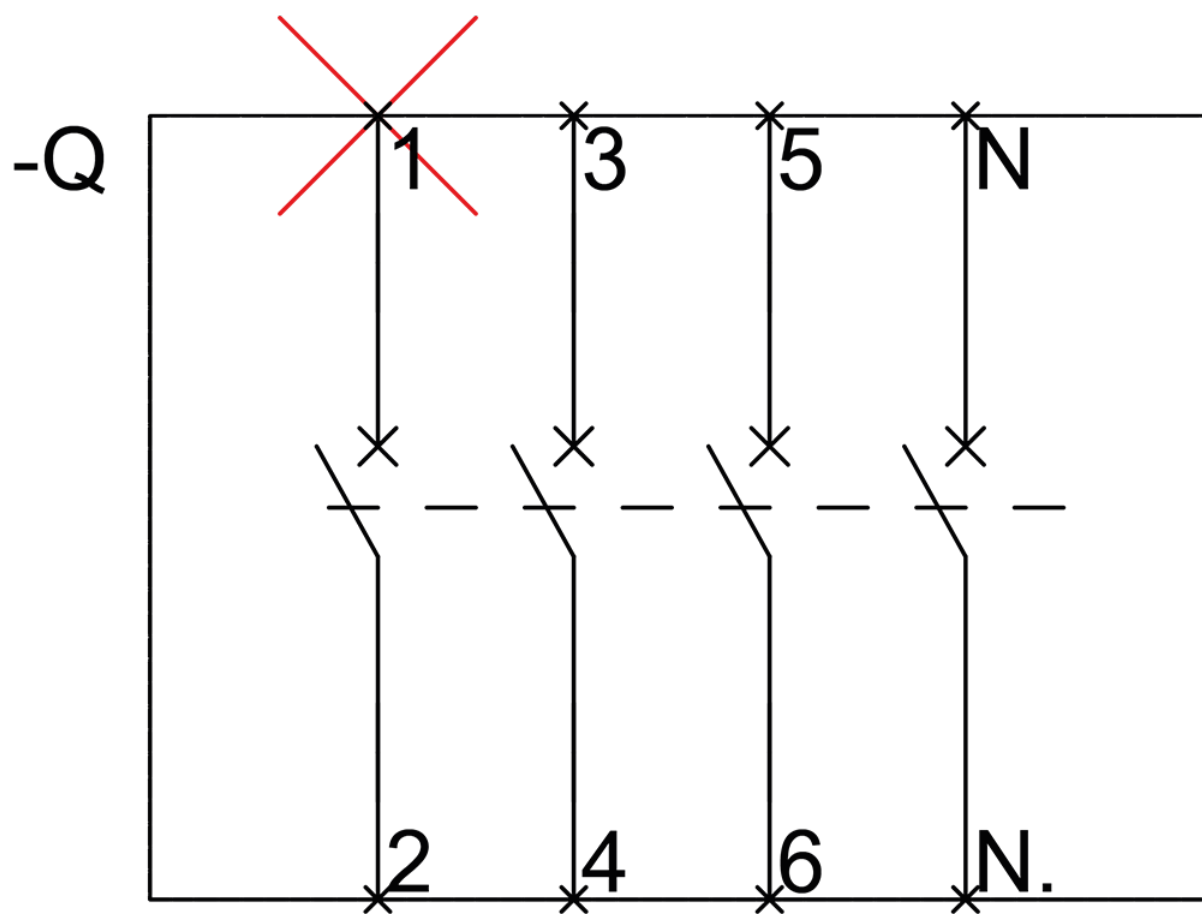
CAX-Online-Generator

<http://www.siemens.com/cax>

Tender specifications

<http://www.siemens.com/specifications>





last modified:

8/13/2021 