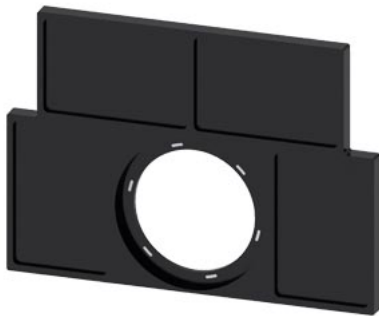


Label holder, flat, black, for 4 labeling plates 17.5 mm x 27 mm, for gluing



product brand name	SIRIUS ACT
product designation	Label holder
design of the product	for labeling plate 17.5 x 27 mm
product type designation	3SU1
General technical data	
protection class IP	IP66, IP67, IP69(IP69K)
degree of protection NEMA rating	1, 2, 3, 3R, 4, 4X, 12
shock resistance for railway applications according to EN 61373	Category 1, Class B
vibration resistance for railway applications according to EN 61373	Category 1, Class B
Substance Prohibance (Date)	10/01/2014
Weight	0.006 kg
Ambient conditions	
ambient temperature	
• during operation	70 ... -25 °C
• during storage and transport	80 ... -40 °C
Environmental footprint	
Environmental Product Declaration(EPD)	Yes
Global Warming Potential [CO2 eq] total	0.787 kg
Global Warming Potential [CO2 eq] during manufacturing	0.566 kg
Global Warming Potential [CO2 eq] during operation	0.235 kg
Global Warming Potential [CO2 eq] after end of life	-0.015 kg
Installation/ mounting/ dimensions	
height	17.5 mm
width	27 mm
Accessories	
material of accessory	Plastic
shape of label holder	square at bottom
color of label holder	Black
fastening method of label	snap on
product function illuminated backing plate	No
Approvals Certificates	
General Product Approval	Test Certificates

[Confirmation](#)



[Type Test Certificates/Test Report](#)

other

Environment



Further information

Information on the packaging

<https://support.industry.siemens.com/cs/ww/en/view/109813875>

Information- and Downloadcenter (Catalogs, Brochures,...)

<https://www.siemens.com/ic10>

Industry Mall (Online ordering system)

<https://mall.industry.siemens.com/mall/en/en/Catalog/product?mlfb=3SU1900-0BS10-0AA0>

Cax online generator

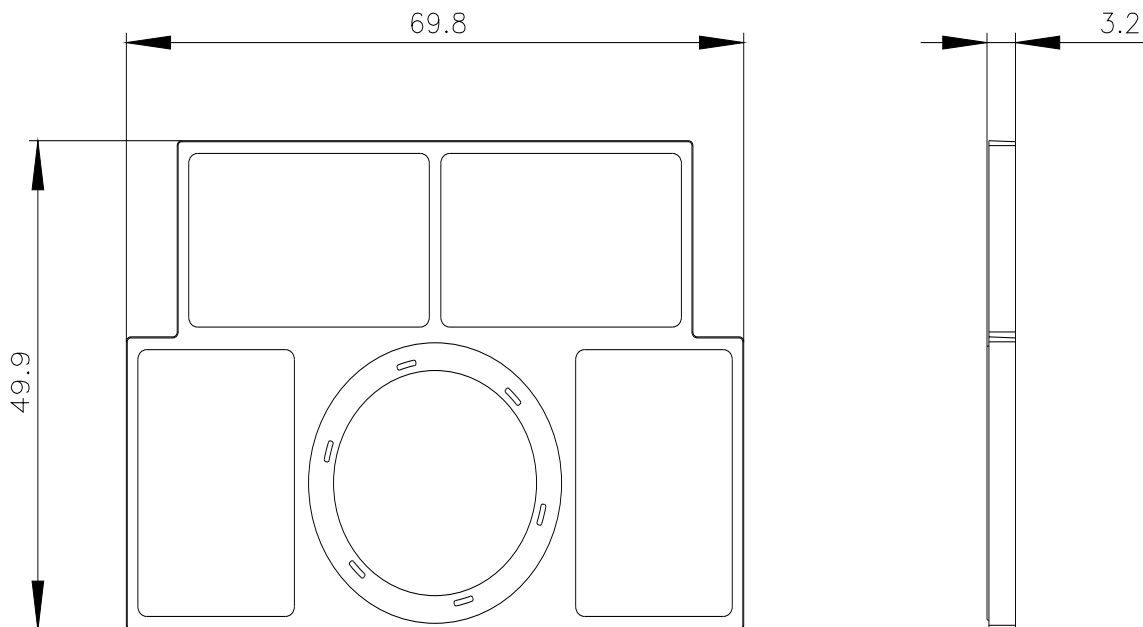
<http://support.automation.siemens.com/WW/CAXorder/default.aspx?lang=en&mlfb=3SU1900-0BS10-0AA0>

Service&Support (Manuals, Certificates, Characteristics, FAQs,...)

<https://support.industry.siemens.com/cs/ww/en/ps/3SU1900-0BS10-0AA0>

Image database (product images, 2D dimension drawings, 3D models, device circuit diagrams, EPLAN macros, ...)

http://www.automation.siemens.com/bilddb/cax_de.aspx?mlfb=3SU1900-0BS10-0AA0&lang=en



last modified:

2/29/2024