



Power relay, AC-3 8.4 A, 4 kW / 400 V 4 NO, 24 V DC with flat connector terminal 6.3 x 0.8mm

reference code acc. to IEC 81346-2	K
Substance Prohibition (Date)	01.07.2006 00:00:00
ambient temperature during operation	-25 ... +55 °C
number of poles	4
number of NO contacts for main contacts	3
number of NC contacts for main contacts	0
type of voltage	DC
operational current	
• at AC-1 at 400 V rated value	16 A
• at AC-3 at 400 V rated value	8.4 A
operating power	
• at AC-3 at 400 V rated value	4 kW
control supply voltage at DC rated value	24 ... 24 V
number of NC contacts for auxiliary contacts	0
number of NO contacts for auxiliary contacts	1
number of CO contacts for auxiliary contacts	0
fastening method	screw and snap-on mounting onto 35 mm standard mounting rail
• side-by-side mounting	Yes
height	62 mm
width	36 mm
depth	61 mm
type of electrical connection	
• for main current circuit	tab terminals
• for auxiliary and control circuit	tab terminals
Safety related data	
protection class IP on the front acc. to IEC 60529	IP00
Further information	

Information- and Downloadcenter (Catalogs, Brochures,...)

<https://www.siemens.com/ic10>

Industry Mall (Online ordering system)

<https://mall.industry.siemens.com/mall/en/en/Catalog/product?mlfb=3TG1010-1BB4>

Cax online generator

<http://support.automation.siemens.com/WW/CAXorder/default.aspx?lang=en&mlfb=3TG1010-1BB4>

Service&Support (Manuals, Certificates, Characteristics, FAQs,...)

<https://support.industry.siemens.com/cs/ww/en/ps/3TG1010-1BB4>

Image database (product images, 2D dimension drawings, 3D models, device circuit diagrams, EPLAN macros, ...)

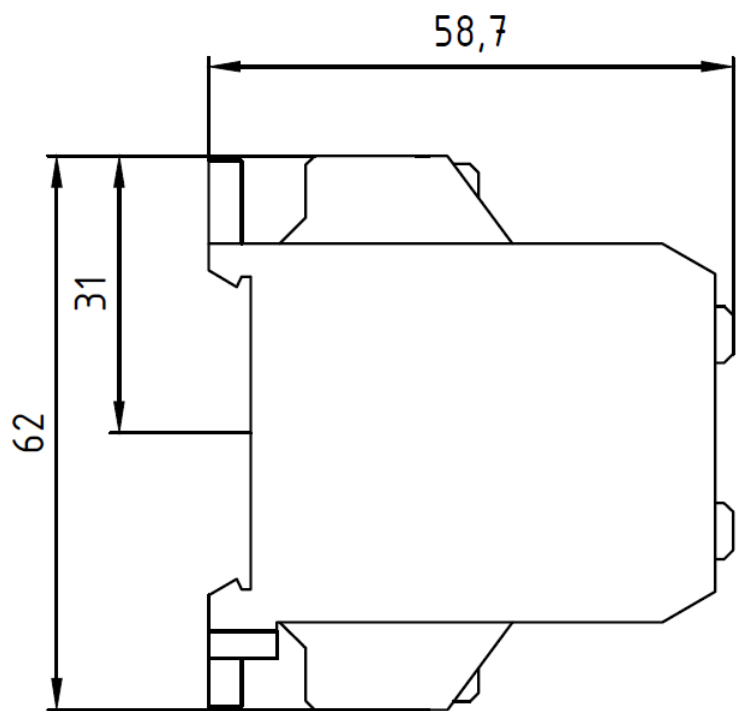
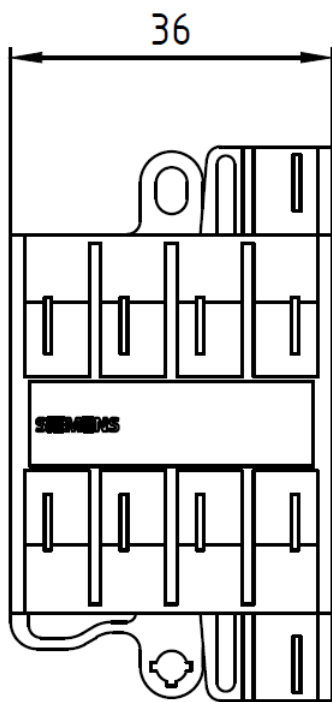
http://www.automation.siemens.com/bilddb/cax_de.aspx?mlfb=3TG1010-1BB4&lang=en

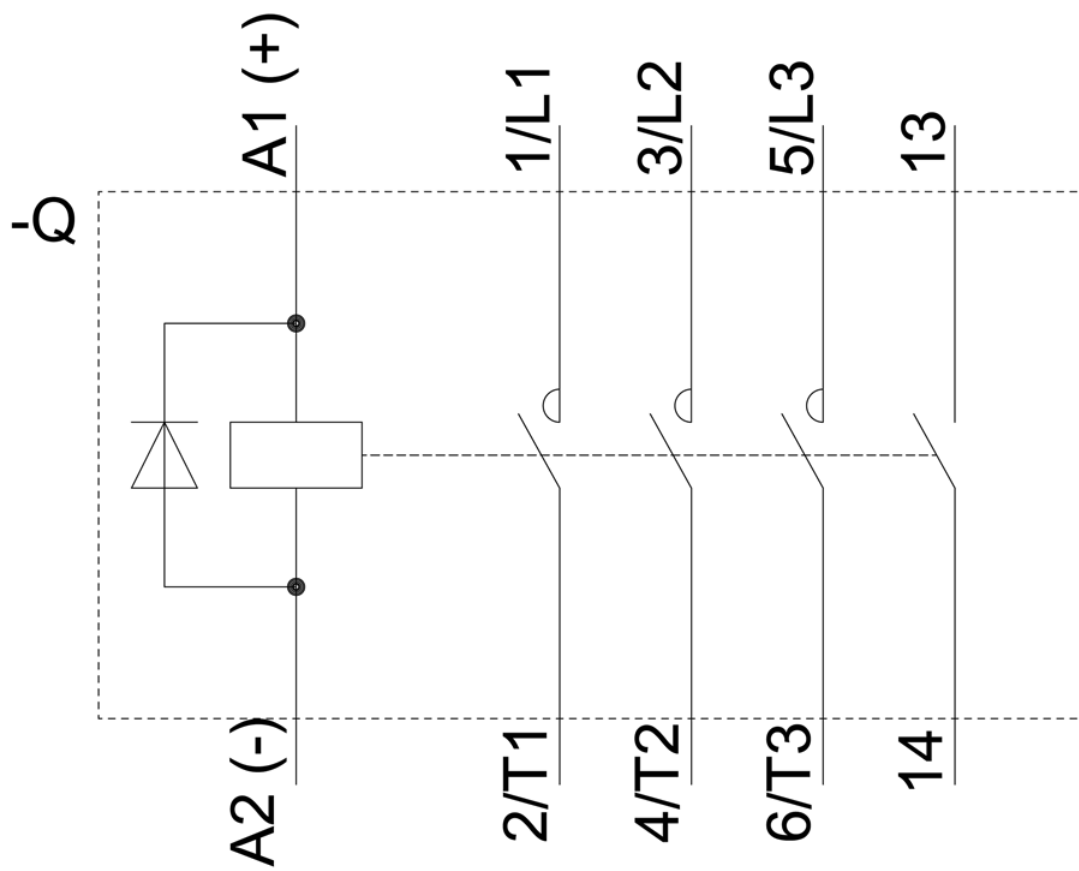
Characteristic: Tripping characteristics, I^t, Let-through current

<https://support.industry.siemens.com/cs/ww/en/ps/3TG1010-1BB4/char>

Further characteristics (e.g. electrical endurance, switching frequency)

<http://www.automation.siemens.com/bilddb/index.aspx?view=Search&mlfb=3TG1010-1BB4&objecttype=14&gridview=view1>





last modified:

12/23/2020 