



Power contactor, AC-3 32 A, 15 kW / 400 V 1 NO + 1 NC, 24 V AC, 50 Hz
3-pole, size S0 Screw terminal

product brand name	SIRIUS
product designation	Power contactor
product type designation	3RT2
General technical data	
size of contactor	S0
product extension	
• function module for communication	No
• auxiliary switch	Yes
power loss [W] for rated value of the current at AC in hot operating state	8.1 W
• per pole	2.7 W
power loss [W] for rated value of the current without load current share typical	9.8 W
surge voltage resistance	
• of main circuit rated value	6 kV
• of auxiliary circuit rated value	6 kV
maximum permissible voltage for safe isolation between coil and main contacts acc. to EN 60947-1	400 V
shock resistance at rectangular impulse	
• at AC	8,3g / 5 ms, 5,3g / 10 ms
shock resistance with sine pulse	
• at AC	13,5g / 5 ms, 8,3g / 10 ms
mechanical service life (switching cycles)	
• of contactor typical	10 000 000
• of the contactor with added electronically optimized auxiliary switch block typical	5 000 000
• of the contactor with added auxiliary switch block typical	10 000 000
reference code acc. to IEC 81346-2	Q
Substance Prohibitance (Date)	01.10.2009 00:00:00
Ambient conditions	
installation altitude at height above sea level maximum	2 000 m
ambient temperature	
• during operation	-25 ... +60 °C
• during storage	-55 ... +80 °C
Main circuit	
number of poles for main current circuit	3
number of NO contacts for main contacts	3
operating voltage at AC-3 rated value maximum	690 V

operational current	
<ul style="list-style-type: none"> ● at AC-1 at 400 V at ambient temperature 40 °C rated value 	50 A
<ul style="list-style-type: none"> ● at AC-1 <ul style="list-style-type: none"> — up to 690 V at ambient temperature 40 °C rated value — up to 690 V at ambient temperature 60 °C rated value 	50 A 42 A
<ul style="list-style-type: none"> ● at AC-3 <ul style="list-style-type: none"> — at 400 V rated value — at 500 V rated value — at 690 V rated value 	32 A 32 A 21 A
● at AC-4 at 400 V rated value	22 A
● at AC-5a up to 690 V rated value	44 A
● at AC-5b up to 400 V rated value	26.5 A
<ul style="list-style-type: none"> ● at AC-6a <ul style="list-style-type: none"> — up to 230 V for current peak value n=20 rated value — up to 400 V for current peak value n=20 rated value — up to 500 V for current peak value n=20 rated value — up to 690 V for current peak value n=20 rated value 	30.8 A 30.8 A 27 A 21 A
<ul style="list-style-type: none"> ● at AC-6a <ul style="list-style-type: none"> — up to 230 V for current peak value n=30 rated value — up to 400 V for current peak value n=30 rated value — up to 500 V for current peak value n=30 rated value — up to 690 V for current peak value n=30 rated value 	20.5 A 20.5 A 18 A 18 A
minimum cross-section in main circuit at maximum AC-1 rated value	10 mm ²
operational current for approx. 200000 operating cycles at AC-4	
<ul style="list-style-type: none"> ● at 400 V rated value ● at 690 V rated value 	12 A 12 A
operational current	
<ul style="list-style-type: none"> ● at 1 current path at DC-1 <ul style="list-style-type: none"> — at 24 V rated value — at 110 V rated value — at 220 V rated value — at 440 V rated value — at 600 V rated value 	35 A 4.5 A 1 A 0.4 A 0.25 A
<ul style="list-style-type: none"> ● with 2 current paths in series at DC-1 <ul style="list-style-type: none"> — at 24 V rated value — at 110 V rated value — at 220 V rated value — at 440 V rated value — at 600 V rated value 	35 A 35 A 5 A 1 A 0.8 A
<ul style="list-style-type: none"> ● with 3 current paths in series at DC-1 <ul style="list-style-type: none"> — at 24 V rated value — at 110 V rated value — at 220 V rated value — at 440 V rated value — at 600 V rated value 	35 A 35 A 35 A 2.9 A 1.4 A
operational current	
<ul style="list-style-type: none"> ● at 1 current path at DC-3 at DC-5 <ul style="list-style-type: none"> — at 24 V rated value 	20 A

<ul style="list-style-type: none"> — at 110 V rated value — at 220 V rated value — at 440 V rated value — at 600 V rated value ● with 2 current paths in series at DC-3 at DC-5 <ul style="list-style-type: none"> — at 24 V rated value — at 110 V rated value — at 220 V rated value — at 440 V rated value — at 600 V rated value ● with 3 current paths in series at DC-3 at DC-5 <ul style="list-style-type: none"> — at 24 V rated value — at 110 V rated value — at 220 V rated value — at 440 V rated value — at 600 V rated value 	<p>2.5 A</p> <p>1 A</p> <p>0.09 A</p> <p>0.06 A</p> <p>35 A</p> <p>15 A</p> <p>3 A</p> <p>0.27 A</p> <p>0.16 A</p> <p>35 A</p> <p>35 A</p> <p>10 A</p> <p>0.6 A</p> <p>0.6 A</p>
<p>operating power</p> <ul style="list-style-type: none"> ● at AC-3 <ul style="list-style-type: none"> — at 230 V rated value — at 400 V rated value — at 500 V rated value — at 690 V rated value 	<p>7.5 kW</p> <p>15 kW</p> <p>15 kW</p> <p>18.5 kW</p>
<p>operating power for approx. 200000 operating cycles at AC-4</p> <ul style="list-style-type: none"> ● at 400 V rated value ● at 690 V rated value 	<p>6 kW</p> <p>10.3 kW</p>
<p>operating apparent power at AC-6a</p> <ul style="list-style-type: none"> ● up to 230 V for current peak value n=20 rated value ● up to 400 V for current peak value n=20 rated value ● up to 500 V for current peak value n=20 rated value ● up to 690 V for current peak value n=20 rated value 	<p>12.2 kV·A</p> <p>21.3 kV·A</p> <p>23.3 kV·A</p> <p>25 kV·A</p>
<p>operating apparent power at AC-6a</p> <ul style="list-style-type: none"> ● up to 230 V for current peak value n=30 rated value ● up to 400 V for current peak value n=30 rated value ● up to 500 V for current peak value n=30 rated value ● up to 690 V for current peak value n=30 rated value 	<p>8.1 kV·A</p> <p>14.2 kV·A</p> <p>15.5 kV·A</p> <p>21.5 kV·A</p>
<p>short-time withstand current in cold operating state up to 40 °C</p> <ul style="list-style-type: none"> ● limited to 1 s switching at zero current maximum ● limited to 5 s switching at zero current maximum ● limited to 10 s switching at zero current maximum ● limited to 30 s switching at zero current maximum ● limited to 60 s switching at zero current maximum 	<p>499 A; Use minimum cross-section acc. to AC-1 rated value</p> <p>395 A; Use minimum cross-section acc. to AC-1 rated value</p> <p>260 A; Use minimum cross-section acc. to AC-1 rated value</p> <p>186 A; Use minimum cross-section acc. to AC-1 rated value</p> <p>152 A; Use minimum cross-section acc. to AC-1 rated value</p>
<p>no-load switching frequency</p> <ul style="list-style-type: none"> ● at AC 	<p>5 000 1/h</p>
<p>operating frequency</p> <ul style="list-style-type: none"> ● at AC-1 maximum ● at AC-2 maximum ● at AC-3 maximum ● at AC-4 maximum 	<p>1 000 1/h</p> <p>750 1/h</p> <p>750 1/h</p> <p>250 1/h</p>
Control circuit/ Control	
<p>type of voltage of the control supply voltage</p>	<p>AC</p>
<p>control supply voltage at AC</p> <ul style="list-style-type: none"> ● at 50 Hz rated value 	<p>24 V</p>
<p>operating range factor control supply voltage rated value of magnet coil at AC</p> <ul style="list-style-type: none"> ● at 50 Hz 	<p>0.8 ... 1.1</p>
<p>apparent pick-up power of magnet coil at AC</p> <ul style="list-style-type: none"> ● at 50 Hz 	<p>77 V·A</p>

inductive power factor with closing power of the coil • at 50 Hz	0.82
apparent holding power of magnet coil at AC • at 50 Hz	9.8 V·A
inductive power factor with the holding power of the coil • at 50 Hz	0.25
closing delay • at AC	8 ... 40 ms
opening delay • at AC	4 ... 16 ms
arcing time	10 ... 10 ms
control version of the switch operating mechanism	Standard A1 - A2
Auxiliary circuit	
number of NC contacts for auxiliary contacts instantaneous contact	1
number of NO contacts for auxiliary contacts instantaneous contact	1
operational current at AC-12 maximum	10 A
operational current at AC-15 • at 230 V rated value • at 400 V rated value • at 500 V rated value • at 690 V rated value	10 A 3 A 2 A 1 A
operational current at DC-12 • at 24 V rated value • at 48 V rated value • at 60 V rated value • at 110 V rated value • at 125 V rated value • at 220 V rated value • at 600 V rated value	10 A 6 A 6 A 3 A 2 A 1 A 0.15 A
operational current at DC-13 • at 24 V rated value • at 48 V rated value • at 60 V rated value • at 110 V rated value • at 125 V rated value • at 220 V rated value • at 600 V rated value	10 A 2 A 2 A 1 A 0.9 A 0.3 A 0.1 A
contact reliability of auxiliary contacts	1 faulty switching per 100 million (17 V, 1 mA)
UL/CSA ratings	
full-load current (FLA) for 3-phase AC motor • at 480 V rated value • at 600 V rated value	27 A 27 A
yielded mechanical performance [hp] • for single-phase AC motor — at 110/120 V rated value — at 230 V rated value • for 3-phase AC motor — at 200/208 V rated value — at 220/230 V rated value — at 460/480 V rated value — at 575/600 V rated value	2 hp 5 hp 10 hp 10 hp 20 hp 25 hp
contact rating of auxiliary contacts according to UL	A600 / P600
Short-circuit protection	
design of the fuse link • for short-circuit protection of the main circuit — with type of coordination 1 required	gG: 125A (690V,100kA), aM: 50A (690V,100kA), BS88: 125A

<ul style="list-style-type: none"> — with type of assignment 2 required • for short-circuit protection of the auxiliary switch required 	(415V,80kA) gG: 50A (690V,100kA), aM: 25A (690V, 100kA), BS88: 50A (415V, 80kA) gG: 10 A (500 V, 1 kA)
Installation/ mounting/ dimensions	
mounting position	+/-180° rotation possible on vertical mounting surface; can be tilted forward and backward by +/- 22.5° on vertical mounting surface
fastening method	screw and snap-on mounting onto 35 mm standard mounting rail according to DIN EN 60715
<ul style="list-style-type: none"> • side-by-side mounting 	Yes
height	85 mm
width	45 mm
depth	97 mm
required spacing	
<ul style="list-style-type: none"> • with side-by-side mounting <ul style="list-style-type: none"> — forwards 10 mm — upwards 10 mm — downwards 10 mm — at the side 0 mm • for grounded parts <ul style="list-style-type: none"> — forwards 10 mm — upwards 10 mm — at the side 6 mm — downwards 10 mm • for live parts <ul style="list-style-type: none"> — forwards 10 mm — upwards 10 mm — downwards 10 mm — at the side 6 mm 	
Connections/ Terminals	
type of electrical connection	
<ul style="list-style-type: none"> • for main current circuit • for auxiliary and control circuit • at contactor for auxiliary contacts • of magnet coil 	screw-type terminals screw-type terminals Screw-type terminals Screw-type terminals
type of connectable conductor cross-sections	
<ul style="list-style-type: none"> • for main contacts <ul style="list-style-type: none"> — solid 2x (1 ... 2.5 mm²), 2x (2.5 ... 10 mm²) — solid or stranded 2x (1 ... 2.5 mm²), 2x (2.5 ... 10 mm²) — finely stranded with core end processing 2x (1 ... 2.5 mm²), 2x (2.5 ... 6 mm²), 1x 10 mm² • at AWG cables for main contacts 2x (16 ... 12), 2x (14 ... 8) 	
connectable conductor cross-section for main contacts	
<ul style="list-style-type: none"> • solid 1 ... 10 mm² • stranded 1 ... 10 mm² • finely stranded with core end processing 1 ... 10 mm² 	
connectable conductor cross-section for auxiliary contacts	
<ul style="list-style-type: none"> • solid or stranded 0.5 ... 2.5 mm² • finely stranded with core end processing 0.5 ... 2.5 mm² 	
type of connectable conductor cross-sections	
<ul style="list-style-type: none"> • for auxiliary contacts <ul style="list-style-type: none"> — solid or stranded 2x (0.5 ... 1.5 mm²), 2x (0.75 ... 2.5 mm²) — finely stranded with core end processing 2x (0.5 ... 1.5 mm²), 2x (0.75 ... 2.5 mm²) • at AWG cables for auxiliary contacts 2x (20 ... 16), 2x (18 ... 14) 	
AWG number as coded connectable conductor cross section	
<ul style="list-style-type: none"> • for main contacts 16 ... 8 • for auxiliary contacts 20 ... 14 	

Safety related data	
product function mirror contact acc. to IEC 60947-4-1	Yes
B10 value with high demand rate acc. to SN 31920	450 000
proportion of dangerous failures	
• with low demand rate acc. to SN 31920	40 %
• with high demand rate acc. to SN 31920	73 %
failure rate [FIT] with low demand rate acc. to SN 31920	100 FIT
T1 value for proof test interval or service life acc. to IEC 61508	20 y
protection class IP on the front acc. to IEC 60529	IP20
touch protection on the front acc. to IEC 60529	finger-safe, for vertical contact from the front
suitability for use	
• safety-related switching OFF	Yes

Certificates/ approvals	
General Product Approval	EMC



[KC](#)



Functional Safety/Safety of Machinery	Declaration of Conformity	Test Certificates	Marine / Shipping
---------------------------------------	---------------------------	-------------------	-------------------

[Type Examination Certificate](#)

[UK Declaration of Conformity](#)



EG-Konf.

[Type Test Certificates/Test Report](#)

[Special Test Certificate](#)



ABS

Marine / Shipping	other
-------------------	-------



LRS



RINA



RMRS



DNV-GL

[Confirmation](#)

other



VDE

[Confirmation](#)

Further information

Information- and Downloadcenter (Catalogs, Brochures,...)

<https://www.siemens.com/ic10>

Industry Mall (Online ordering system)

<https://mall.industry.siemens.com/mall/en/en/Catalog/product?mlfb=3RT2027-1AB00>

Cax online generator

<http://support.automation.siemens.com/WW/CAXorder/default.aspx?lang=en&mlfb=3RT2027-1AB00>

Service&Support (Manuals, Certificates, Characteristics, FAQs,...)

<https://support.industry.siemens.com/cs/ww/en/ps/3RT2027-1AB00>

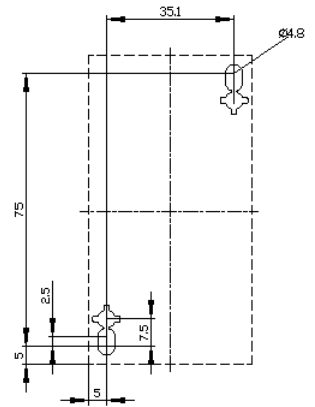
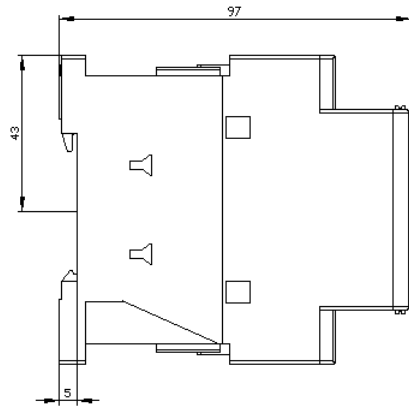
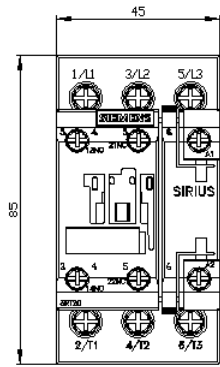
Image database (product images, 2D dimension drawings, 3D models, device circuit diagrams, EPLAN macros, ...)

http://www.automation.siemens.com/bilddb/cax_de.aspx?mlfb=3RT2027-1AB00&lang=en

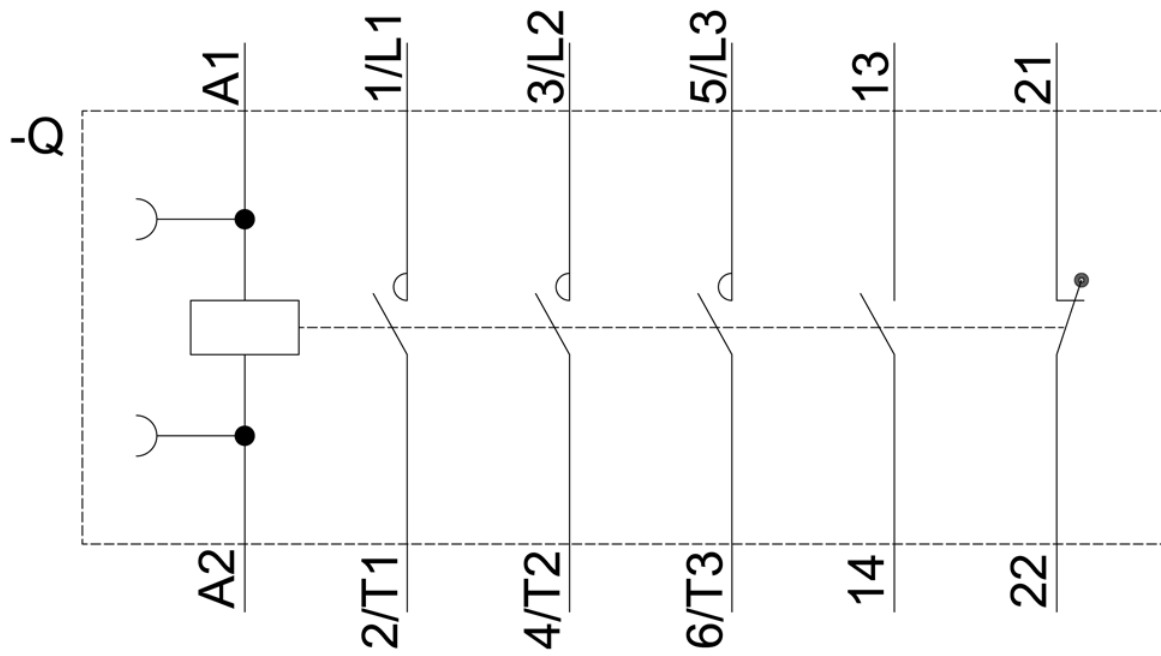
Characteristic: Tripping characteristics, I_t, Let-through current

<https://support.industry.siemens.com/cs/ww/en/ps/3RT2027-1AB00/char>

Further characteristics (e.g. electrical endurance, switching frequency)







last modified:

2/5/2021 